

## Uve 8x24x16



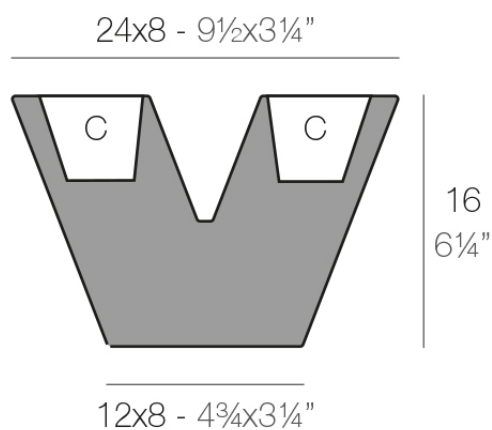
## Info

---

### Description

Pot made of polyethylene resin by rotational moulding. 100% Recyclable. Item suitable for indoor and outdoor use. Available in different finishes.

Weight: 0.4 Kg



UVE Nano 24 x 8 x 16 cm  
UVE Nano 9½" x 3¼" x 6¼"

C = 0,2+0,2 L  
C = 0,05+0,05 gal

## Finishes

---

### finishes

---

#### Basic

Ref. 43308A



white 2001



black 2002



ecru 2003



tortora 2004



gray 2005



anthracite 2006



brown 2008



garnet 2015



green 2016



cream 2017



blue 2018



camel 2020



clay 2022



ecru granite



cream granite



ice 2101

#### Matt Polyethylene

#### Simple Lacquered

Ref. 43308F

# VONDOM



white 3101



black 3102



ecru 3103



tortora 3104



gray 3105



anthracite 3106



garnet 3113



green 3116



cream 3117



blue 3118



brown 3125

## lighting

---

Led – White  
Ref. 43308W



ice 2101

White internally lit unit with LED technology. Available only in matte ice white finish.

## Ambients

---

