

Vases bar stool

by JM Ferrero

VASES Collection, is made up of flowerpots, furniture and lighting designed by the Valencian designer JM Ferrero. It's shapes were inspired by diamond cutting, producing pieces of clear-cut shapes and great style, creating a big visual impact.

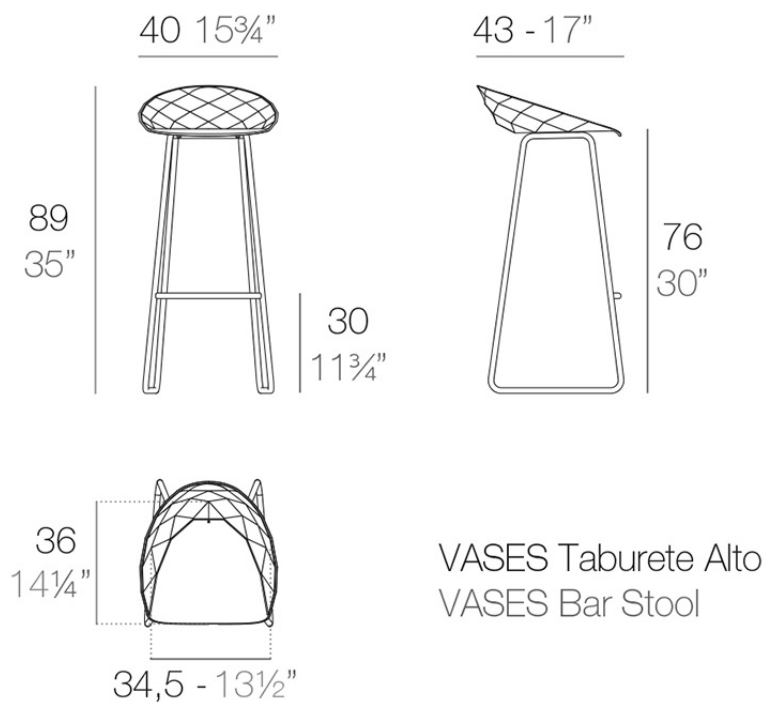


Info

Description

Injected polypropylene with fiber glass. The legs are made in powder coated stainless steel in a colour to match the seat.

Weight: 3.36 Kg



Finishes

finishes

Basic

Ref. 47071



white



black



ecru

Available in various colors

estructura

Aluminium

Ref. VVAR00983



white



black



ecru

Ambients

