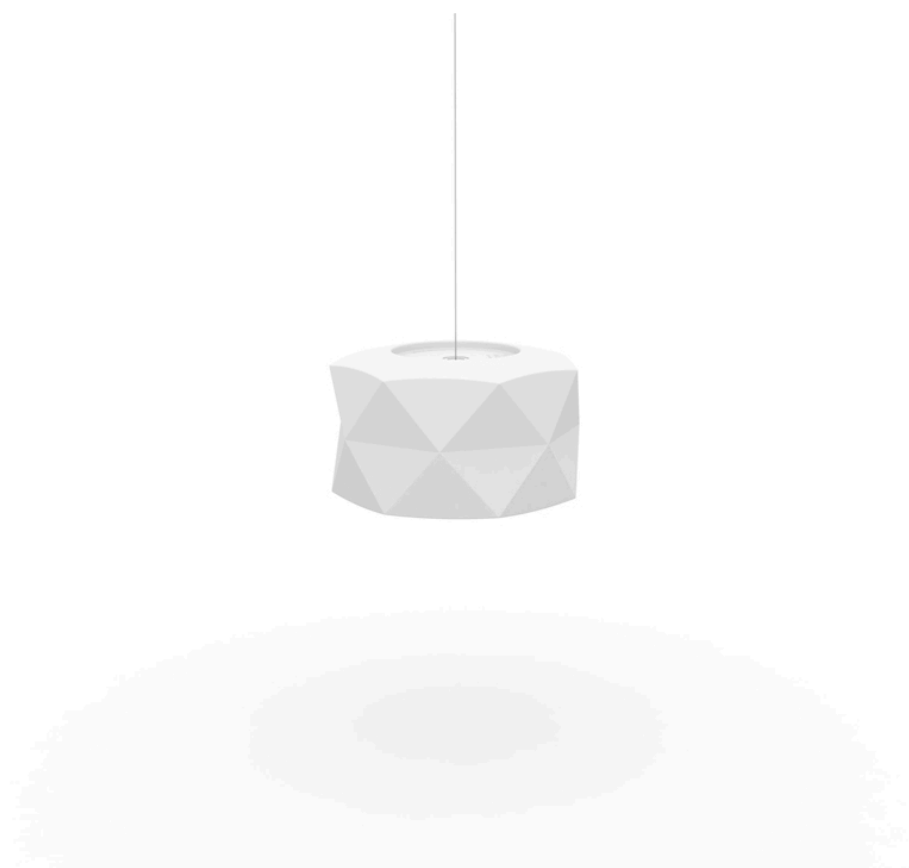


Marquis hanging lamp ø50x26

by JM Ferrero

Marquis, designed by Estudi{H}ac for Vondom, is a planters collection **originating from the inspiration of diamond cutting**. Its polygonal design recalls facets created through cutting. It also **includes a design table lamp**.

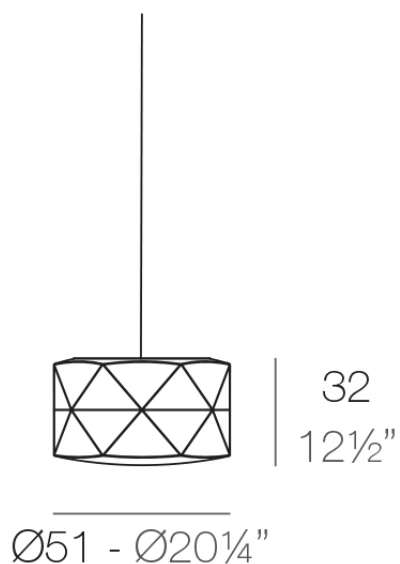


Info

Description

Made of polyethylene resin by rotational moulding. 100% Recyclable. Item suitable for indoor and outdoor use. Available in different finishes.

Weight: 4.5 Kg



MARQUIS Lámpara colgante Ø51x32

MARQUIS Hanging Lamp Ø20¼"x12½"

Finishes

lighting

Led – White
Ref. 47091W



ice 2101

White internally lit unit with LED technology. Available only in matte ice white finish.

LED RGBW – Cable
Ref. 47091L



ice 2101

Unit with internal lighting with RGBW LED technology and remote control unit for switching colors. Available only in matte ice white finish. Remote control included.

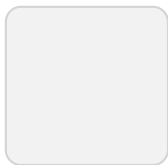
LED RGBW DMX – Cable
Ref. 47091D



ice 2101

Unit with internal lighting with RGBW LED technology and remote control unit for switching colors. Also controlled by DMX-1024 (wireless), enabling communication between one or more products simultaneously via the DMX transmitter (not included). There are two options to choose from: Professional XLR DMX and Home WIFI DMX. (Remote control included).
Optional battery

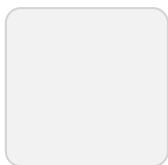
LED RGBW – Battery
Ref. 47091Y



ice 2101

Unit with internal lighting with battery-powered RGBW LED technology. Includes charger and remote control for switching colors and charger. Available only in matte ice white finish.

LED RGBW DMX – Battery
Ref. 47091DY



ice 2101

Unit with internal lighting with RGBW LED technology and remote control unit for switching colors. Also controlled by DMX-1024 (wireless), enabling communication between one or more products simultaneously via the DMX

VONDOM

transmitter (not included). There are two options to choose from: Professional XLR DMX and Home WIFI DMX. (Remote control included).

Ambients

