

Agatha table

by Agatha Ruiz de la Prada

The Agatha collection, conceived by Agatha Ruiz de la Prada for Vondom, is a manifesto of joy and vitality in each piece. Inspired by the fresh and casual shapes that define the designer's style, Agatha transforms any space into a corner full of fun and creativity, inviting you to rediscover the pleasure of being outdoors.

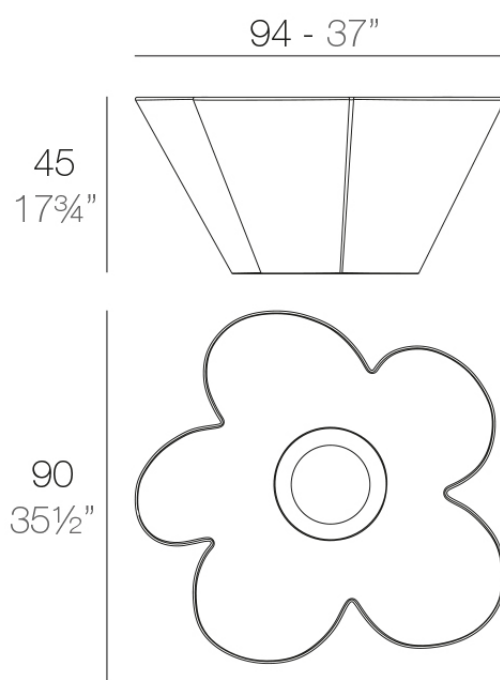


Info

Description

Made of polyethylene resin by rotational moulding. 100% Recyclable. Item suitable for indoor and outdoor use. Available in different finishes.

Weight: 14 Kg



AGATHA Mesa Baja (incluye portalápices)
AGATHA Low Table (pencil case included)

Finishes

finishes

Basic

Ref. 52002



white 2001



black 2002



ecru 2003



tortora 2004



gray 2005



anthracite 2006



brown 2008



garnet 2015



green 2016



cream 2017



blue 2018



camel 2020



clay 2022



ecru granite



cream granite



ice 2101

Matt Polyethylene

Lacquered

Ref. 52002F

VONDOM



white 3101



black 3102



ecru 3103



tortora 3104



gray 3105



anthracite 3106



garnet 3113



green 3116



cream 3117



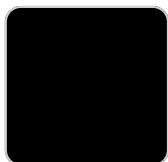
blue 3118



brown 3125

Lacquered Polyethylene

TWO TONE – Lacquered Ref. 52002FP



white/red

Two-tone lacquered Polyethylene

Ambients

