

Faz table stainless base 80x80

by Ramón Esteve

Vondom's Faz collection, designed by Ramón Esteve, is one of the firm's most iconic collections. It stands out for its modular design and sophistication, representing harmony, serenity and timelessness through mineral and emphatic shapes. Faz transforms environments with its unique combination of material and light, creating an enveloping and exclusive atmosphere.

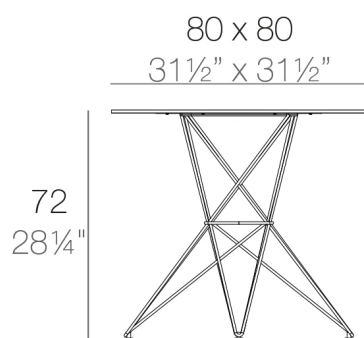


Info

Description

Made of polyethylene resin by rotational moulding. 100% Recyclable. Item suitable for indoor and outdoor use. Available in different finishes.

Weight: 11.2 Kg



FAZ Mesa Inox 80x80
FAZ Dinning Table
Stainless Base 31½" x 27½"

Finishes

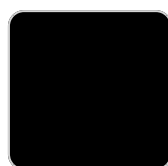
tabletops

HPL Black Edge Top

Ref. 54106C



white

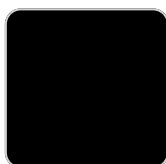


black

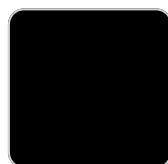
HPL black edge

HPL Solid Core Top

Ref. 54106CB



white



black

HPL solid core

tabletops

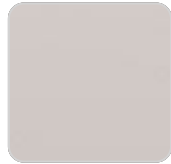
HPL Black Edge Top

Ref. VVAR00522

VONDOM



white(black edge)



ecru(black edge)



black(black edge)

