

Quartz dining table ø90

by Ramón Esteve

Created by Ramón Esteve for Vondom, it offers a perfect blend of elegance and functionality in outdoor furniture. With an orthogonal geometry and triangular profiles, this collection stands out for its visual lightness and timeless design.

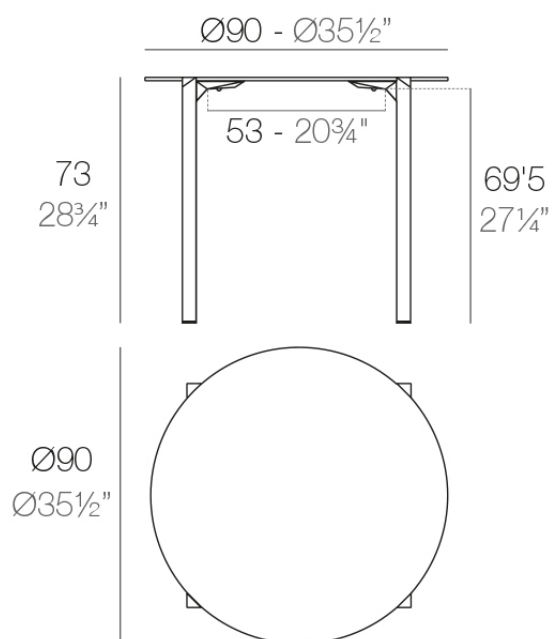


Info

Description

Made from polypropylene and reinforced with fiberglass manufactured by gas injection. Available in various colors. Suitable for indoor and outdoor use.

Weight: 10.8 Kg



QUARTZ Mesa Ø90
QUARTZ Table Ø35 1/2"

Finishes

tabletops

HPL Black Edge Top

Ref. 54201



white



black



ecru

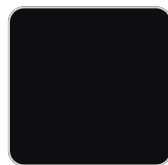
HPL black edge

HPL Solid Core Top

Ref. 54201B



white



black



ecru

HPL solid core

tabletops

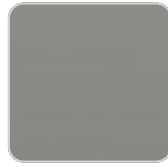
HPL Solid Core Top

Ref. VVAR02351

VONDOM



white stone



smoked



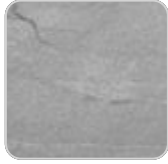
ecru stone



tortora stone



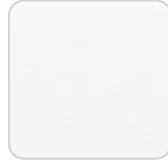
black stone



gray stone



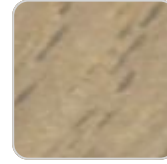
oak1



white (white edge)



ecru



oak2



tortora



cream



garnet



brown



green



blue



anthracite

HPL Black Edge Top

Ref. VVAR02351



white(black edge)



ecru(black edge)



black(black edge)

