

Faz wood dining table ø60x74

by Ramón Esteve

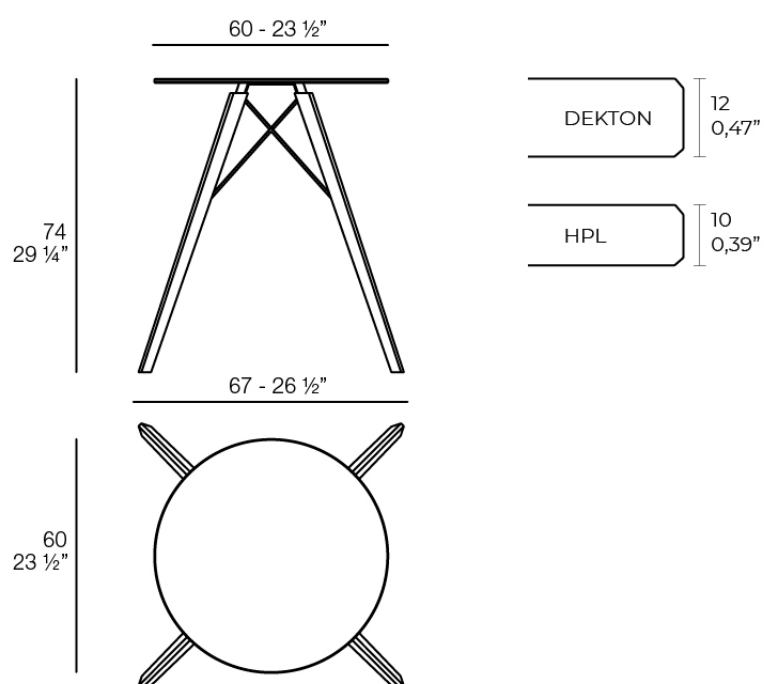
Vondom's Faz collection, designed by Ramón Esteve, is one of the firm's most iconic collections. It stands out for its modular design and sophistication, representing harmony, serenity and timelessness through mineral and emphatic shapes. Faz transforms environments with its unique combination of material and light, creating an enveloping and exclusive atmosphere.



Info

Description

Weight: 9.05 Kg



FAZ WOOD Mesa Comedor Ø60
FAZ WOOD Dinning table Ø23 1/2"

Finishes

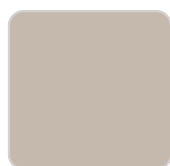
tabletops

HPL Black Edge Top

Ref. 54310



white



ecru



black

HPL black edge

HPL Solid Core Top

Ref. 54310B



white



ecru



black

HPL solid core

estructura

Aluminium

Ref. VVAR03083

VONDOM



white

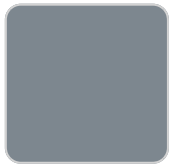


ecru



black

Ref. VVAR03083



gray

legs

Ash

Ref. VVAR03081



wood 1



wood 2

Ambients

