

Gatsby sun lounger

by Ramón Esteve

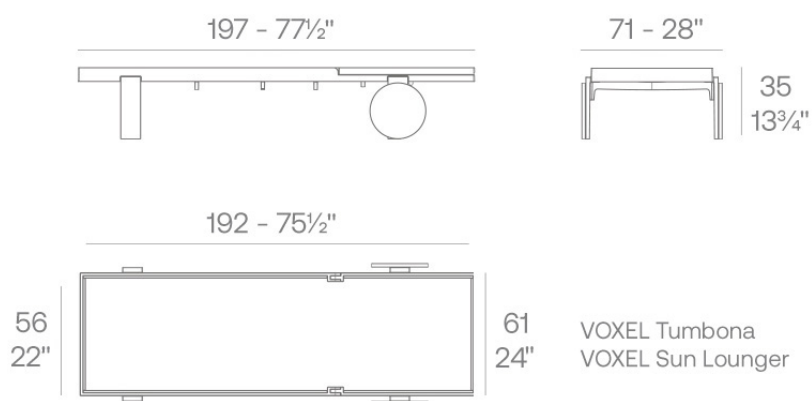
The Gatsby collection, designed by Ramón Esteve, evokes the elegance and glamour of Art Deco, reminding us of the Roaring Twenties. Inspired by the bonanza, parties and excesses of that era, Gatsby combines intricate design with extraordinary simplicity, reflecting the American dream.



Info

Description

Weight: 18.89 Kg



Finishes

finishes

Basic

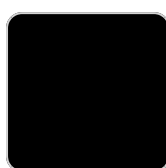
Ref. 54414



white



ecru

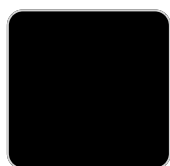


tortora

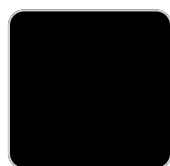
Available in various colors

kit lona

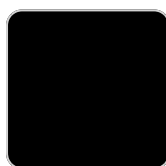
Ref. 54414KIT



white



ecru



tortora

Ambients

