

## Stone planter 68x62x30

by Stefano Giovannoni & Elisa Gargan

Stone outdoor furniture collection, designed by Stefano Giovannoni, convinces with its organic shapes. As its name suggests it appears to be found in nature itself, creating synergism between the natural and the artificial landscape. Stone can fit perfectly into any environment, transmitting its own particular elegance, thanks to its material, as well as its original shape.

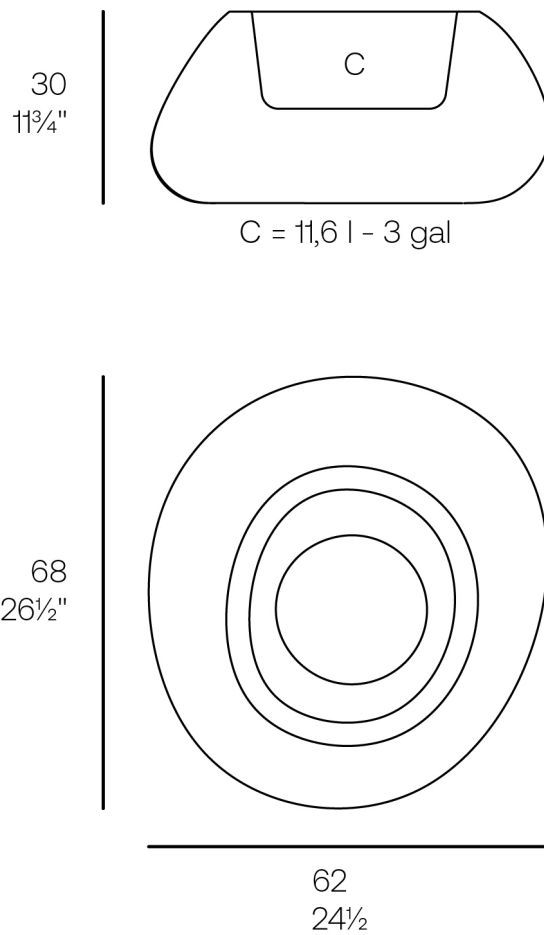


## Info

---

### Description

Weight: 5.56 Kg



STONE Macetero 62 x 68 x 30  
STONE Planter 24 1/2" x 26 1/2" x 11 3/4"

## Finishes

---

### finishes

---

#### Basic

Ref. 55028A



white 2001



black 2002



ecru 2003



tortora 2004



gray 2005



anthracite 2006



brown 2008



garnet 2015



green 2016



cream 2017



blue 2018



camel 2020



clay 2022



ecru granite



cream granite



ice 2101

#### Matt Polyethylene

#### Self-Watering

Ref. 55028R

# VONDOM



white 2001



black 2002



ecru 2003



tortora 2004



gray 2005



anthracite 2006



brown 2008



garnet 2015



green 2016



cream 2017



blue 2018



camel 2020



clay 2022



ecru granite



cream granite



ice 2101

Self-watering system included in all planters except those with basic finish

Lacquered  
Ref. 55028F



white 3101



black 3102



ecru 3103



tortora 3104



gray 3105



anthracite 3106



garnet 3113



green 3116



cream 3117



blue 3118



camel 3120



clay



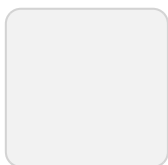
brown 3125

Lacquered Polyethylene

## lighting

---

Led – White  
Ref. 55028W



ice 2101

White internally lit unit with LED technology. Available only in matte ice white finish.

LED RGBW – Cable  
Ref. 55028L



ice 2101

Unit with internal lighting with RGBW LED technology and remote control unit for switching colors. Available only in matte ice white finish. Remote control included.

LED RGBW DMX – Cable  
Ref. 55028D



ice 2101

Unit with internal lighting with RGBW LED technology and remote control unit for switching colors. Also controlled by DMX-1024 (wireless), enabling communication between one or more products simultaneously via the DMX transmitter (not included). There are two options to choose from: Professional XLR DMX and Home WIFI DMX. (Remote control included).  
Optional battery

LED RGBW – Battery  
Ref. 55028Y



ice 2101

Unit with internal lighting with battery-powered RGBW LED technology. Includes charger and remote control for switching colors and charger. Available only in matte ice white finish.

LED RGBW DMX – Battery  
Ref. 55028DY



ice 2101

Unit with internal lighting with RGBW LED technology and remote control unit for switching colors. Also controlled by DMX-1024 (wireless), enabling communication between one or more products simultaneously via the DMX

# VONDOM

transmitter (not included). There are two options to choose from: Professional XLR DMX and Home WIFI DMX. (Remote control included).

