

## Stone doble sofa

by Stefano Giovannoni & Elisa Gargan

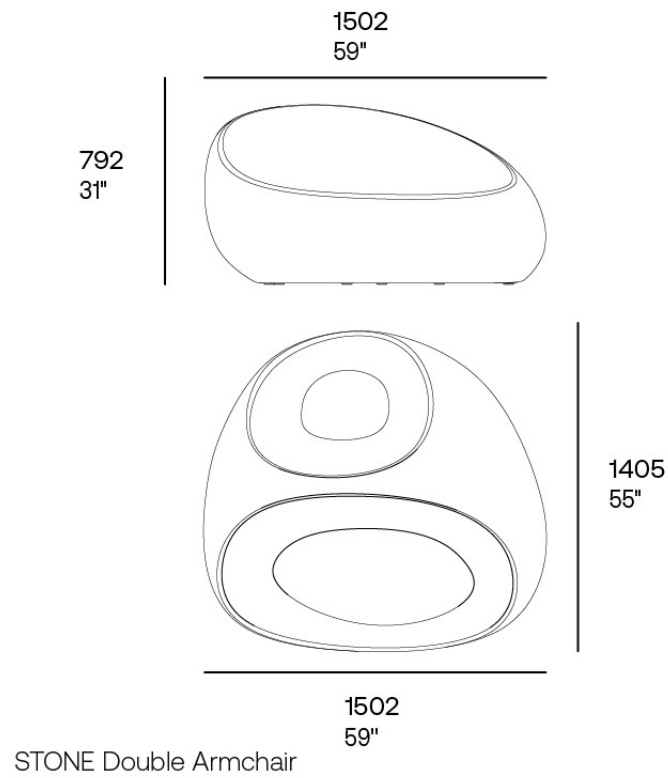
Stone outdoor furniture collection, designed by Stefano Giovannoni, convinces with its organic shapes. As its name suggests it appears to be found in nature itself, creating synergism between the natural and the artificial landscape. Stone can fit perfectly into any environment, transmitting its own particular elegance, thanks to its material, as well as its original shape.



## Info

---

### Description



## Finishes

---

### finishes

---

#### Basic

Ref. 55033



white 2001



black 2002



ecru 2003



tortora 2004



gray 2005



anthracite 2006



brown 2008



garnet 2015



green 2016



cream 2017



blue 2018



camel 2020



clay 2022



ecru granite



cream granite



ice 2101

#### Matt Polyethylene

