

Solid sofa 2 pax

by Stefano Giovannoni

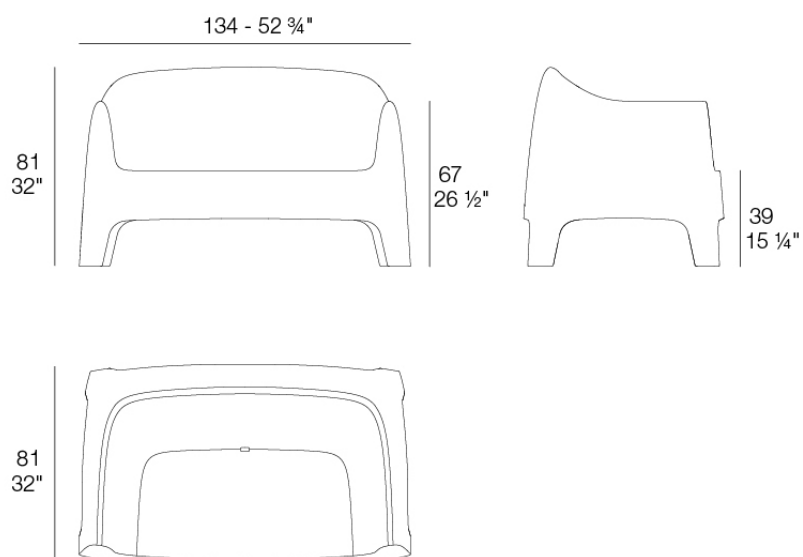
Solid outdoor furniture collection, designed by Stefano Giovannoni for Vondom. It's a group of items which, although **being light offer stability** thanks to their geometric and well-defined cut, as if they were sculpted from stone.



Info

Description

Weight: 19 Kg



SOLID Sofa
SOLID Sofa
Ref. 55034

Finishes

finishes

Basic

Ref. 55034



white



black



ecru

Available in various colors

