

## Ufo bar stool

by Ora İto

The UFO design furniture collection, designed by Ora İto for Vondom, results from “genetic mutation experiments” between the iconic languages of pagodas and UFOs. It is characterised by the **opposition of negative and positive shapes**.



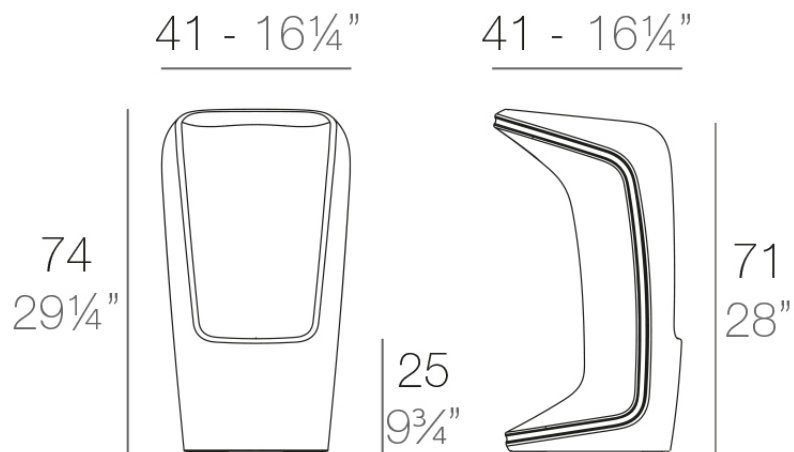
## Info

---

### Description

Made of polyethylene resin by rotational moulding. 100% Recyclable. Item suitable for indoor and outdoor use. Available in different finishes.

Weight: 6 Kg



UFO Taburete Alto  
UFO Bar Stool

## Finishes

---

### finishes

---

#### Basic

Ref. 63005



white 2001



black 2002



ecru 2003



tortora 2004



gray 2005



anthracite 2006



brown 2008



garnet 2015



green 2016



cream 2017



blue 2018



camel 2020



clay 2022



ecru granite



cream granite



ice 2101

#### Matt Polyethylene

#### Lacquered

Ref. 63005F



white 3101



black 3102



ecru 3103



tortora 3104



gray 3105



anthracite 3106



garnet 3113



green 3116



cream 3117



blue 3118



brown 3125

Lacquered Polyethylene

## lighting

---

Led – White  
Ref. 63005W



ice 2101

White internally lit unit with LED technology. Available only in matte ice white finish.

LED RGBW – Cable  
Ref. 63005L



ice 2101

Unit with internal lighting with RGBW LED technology and remote control unit for switching colors. Available only in matte ice white finish. Remote control included.

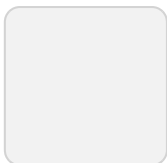
LED RGBW – Battery  
Ref. 63005Y



ice 2101

Unit with internal lighting with battery-powered RGBW LED technology. Includes charger and remote control for switching colors and charger. Available only in matte ice white finish.

LED RGBW DMX – Battery  
Ref. 63005DY



ice 2101

Unit with internal lighting with RGBW LED technology and remote control unit for switching colors. Also controlled by DMX-1024 (wireless), enabling communication between one or more products simultaneously via the DMX transmitter (not included). There are two options to choose from: Professional XLR DMX and Home WIFI DMX. (Remote control included).

## Ambients

---

