

## Manta swivel armchair

by Eugeni Quitllet

New outdoor and indoor chair collection. The versatile Manta chair adapts perfectly to any space, whether in a home, office, or public setting. This is all possible thanks to an interchangeable design made up of seats and bases to create countless combinations.

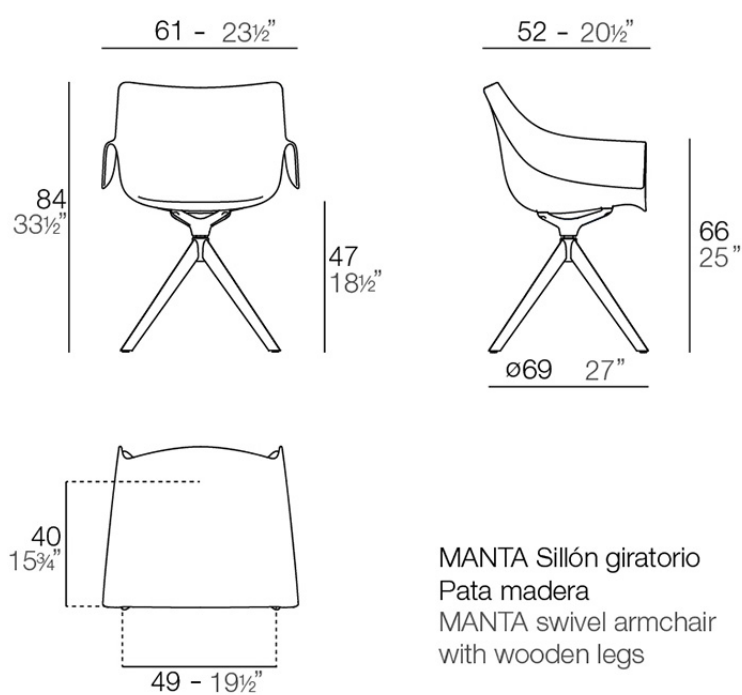


## Info

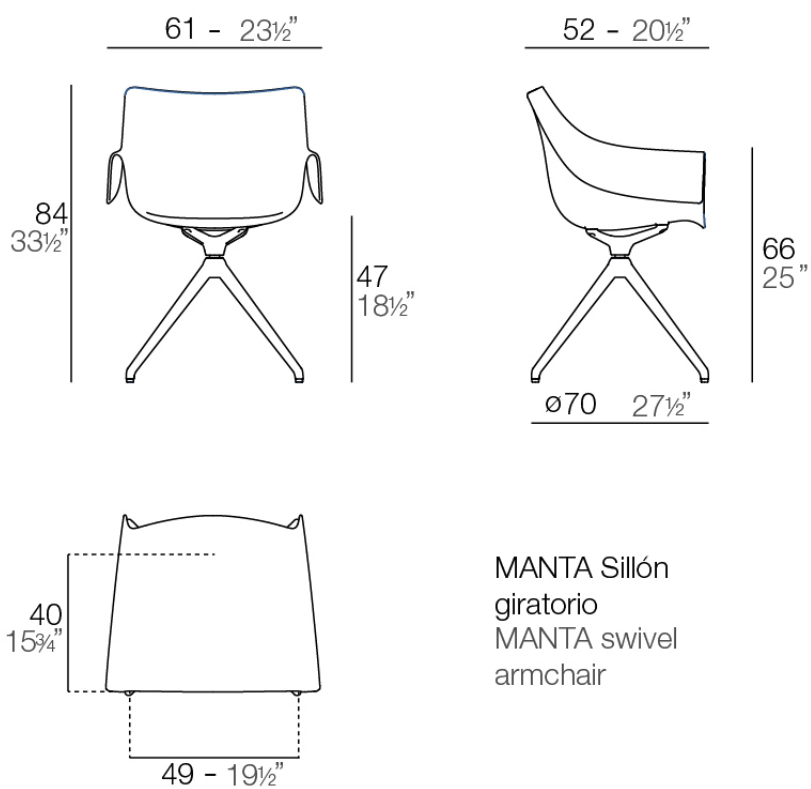
---

### Description

Weight: 8.61 Kg



MANTA Sillón giratorio  
Pata madera  
MANTA swivel armchair  
with wooden legs



## Finishes

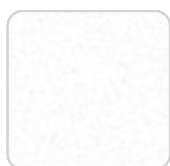
---

### finishes

---

Basic

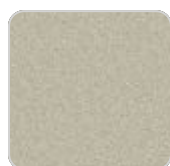
Ref. 65053



white



black



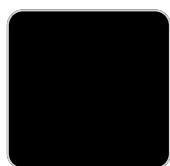
ecru

Available in various colors

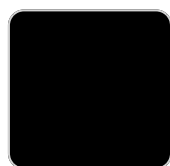
### color sentada

---

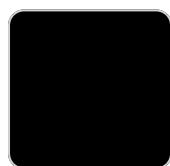
Ref. 65047A



white 201



ecru 2003



black 2002

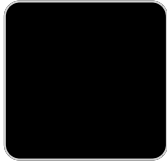
### legs

---

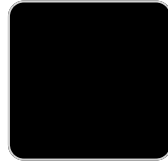
LEGS

Ref. 65053E

# VONDOM



white 201



black 2002

## Ambients

---

