

Palm table 50x50 73h

by Eugeni Quitllet

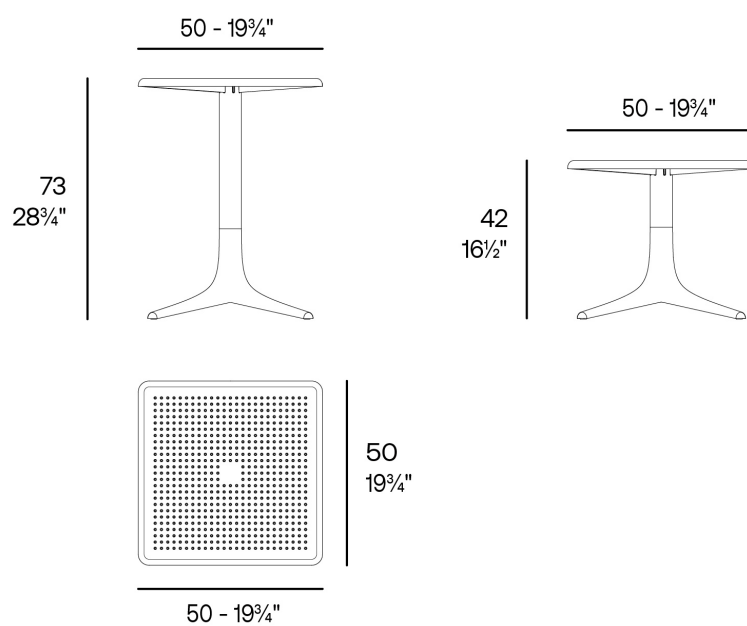
Palm captures the essence of the open air: lightness that breathes and an organic lattice that lets the breeze pass through. Its language is soft, enveloping, and natural—a gesture that dresses outdoor and indoor spaces with equal ease.



Info

Description

Weight: 5.74 Kg



PALM Mesa 50x50
PALM Table 50x50

Finishes

finishes

Basic

Ref. 65064



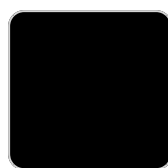
white



black



ecru



tortora

Available in various colors

