

## Palm table ø60 73h

by Eugeni Quitllet

Palm captures the essence of the open air: lightness that breathes and an organic lattice that lets the breeze pass through. Its language is soft, enveloping, and natural—a gesture that dresses outdoor and indoor spaces with equal ease.

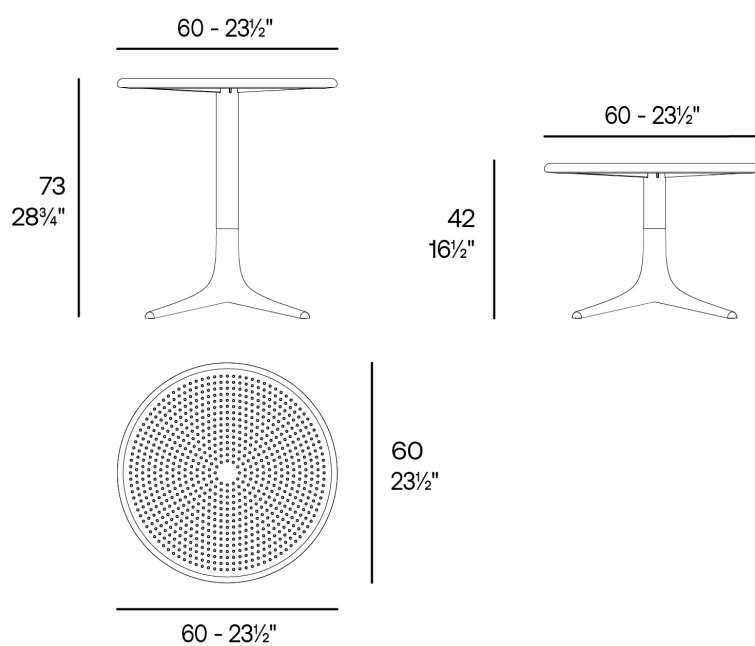


## Info

---

### Description

Weight: 6 Kg



PALM Mesa Ø60  
PALM Table Ø60

## Finishes

---

### finishes

---

Basic

Ref. 65066



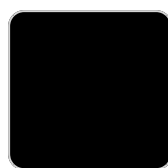
white



black



ecru



tortora

Available in various colors

