

## Milos puff m

by Jean-Marie Massaud

The Milos collection is the fruit of a collaboration between Vondom and renowned French designer Jean-Marie Massaud, combining simplicity and functionality in pieces that stand out for their bold design and comfort. With soft curves and shapes inspired by nature, the outdoor furniture collection offers a unique experience, which is why it has been awarded the prestigious Red Dot 2024 design award.



## Info

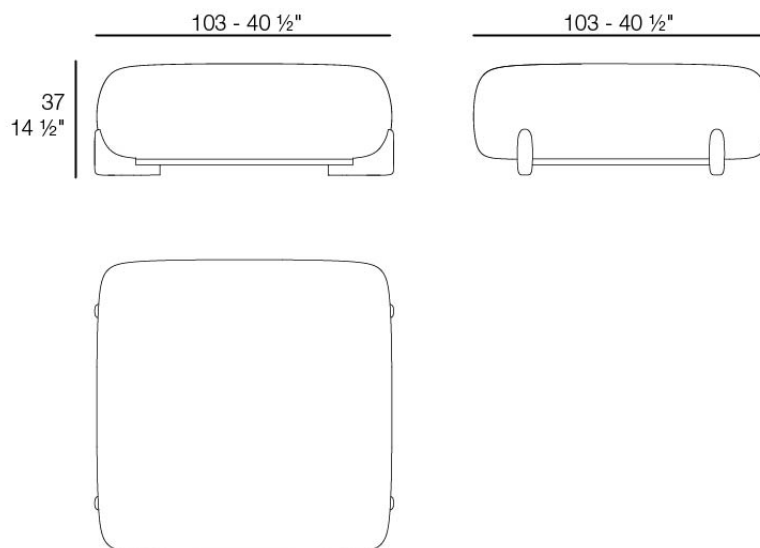
---

### Description

This modular sofa combines the durability of flexible polyurethane foam with the natural beauty of iroko wood.

Its design integrates top-quality solutions and materials, especially conceived to withstand outdoor conditions without compromising warmth and comfort.

Weight: 13.9 Kg



MILOS Puff M  
MILOS Ottoman M  
Ref. 70029

## Finishes

---

### finishes

---

POLYURETHANE

Ref. 70029

Furniture made of flexible polyurethane injected cold. This material possesses a high resilience and durability.

