

Vases nano planter ø18x15

by JM Ferrero

VASES Collection, is made up of flowerpots, furniture and lighting designed by the Valencian designer JM Ferrero. It's shapes were inspired by diamond cutting, producing pieces of clear-cut shapes and great style, creating a big visual impact.

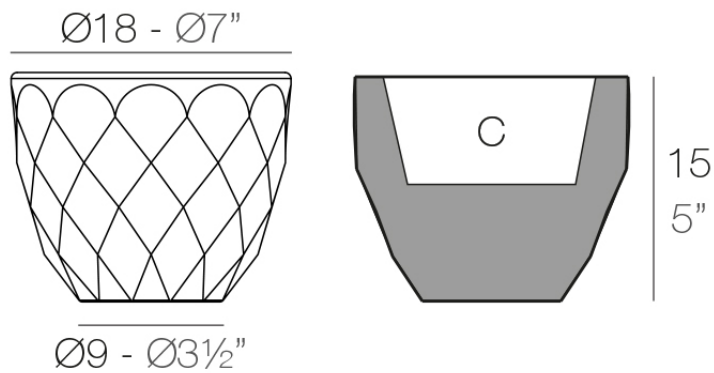


Info

Description

Pot made of polyethylene resin by rotational moulding. 100% Recyclable. Item suitable for indoor and outdoor use. Available in different finishes.

Weight: 0.4 Kg



VASES Nano $\text{Ø}18 \times 15$ cm

VASES Nano $\text{Ø}7'' \times 5''$

C = 1 L

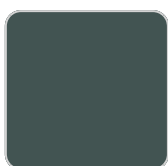
C = $\frac{1}{4}$ gal

Finishes

finishes

BASIC

Ref. 47018A



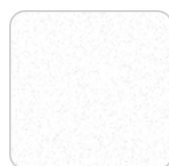
green



purjai red



orange



ice



notte blue



crema



white



black



bronze



steel



anthracite



red



khaki



taupe



ecru



beige

Matt Polyethylene

LACQUERED

Ref. 47018F

VONDOM



purjai red



orange



ice



notte blue



crema



white



black



bronze



steel



anthracite



red



khaki



taupe



ecru



beige



modo green



champany

Lacquered Polyethylene

lighting

WHITE LED
Ref. 47018W



ice



white



black



steel

White internally lit unit with LED technology. Available only in matte ice white finish.

Ambients

