

## Faz wood bar stool

by Ramón Esteve

Vondom's Faz collection, designed by Ramón Esteve, is one of the firm's most iconic collections. It stands out for its modular design and sophistication, representing harmony, serenity and timelessness through mineral and emphatic shapes. Faz transforms environments with its unique combination of material and light, creating an enveloping and exclusive atmosphere.

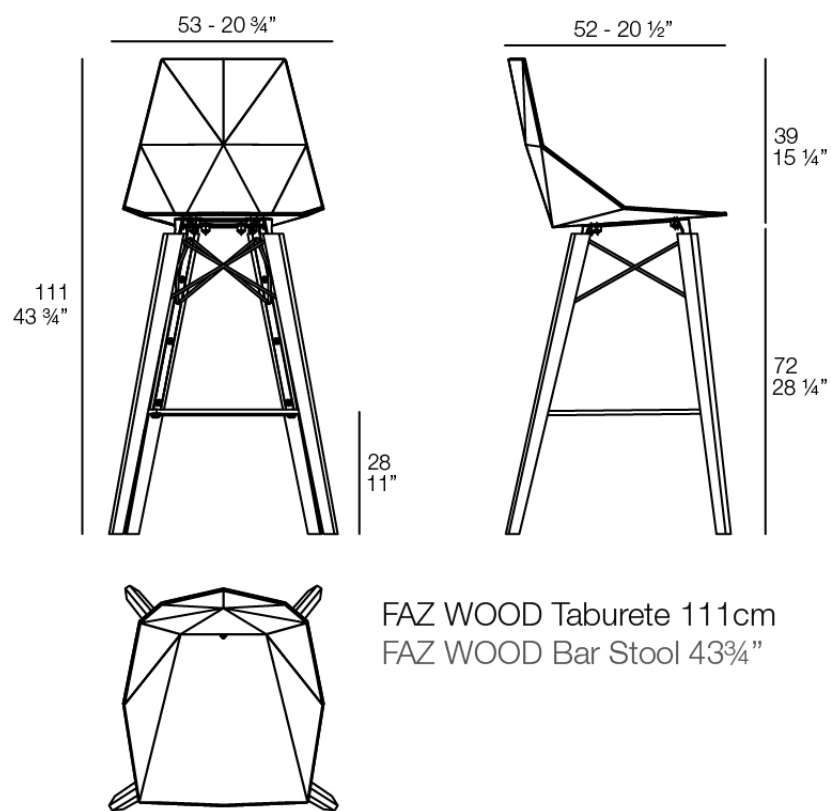


## Info

---

### Description

Weight: 6.93 Kg



## Finishes

---

### finishes

---

BASIC PP

Ref. 54301



white wood 1



negro wood 1



negro wood 2



ecru wood 2



ecru wood 1



white wood 2

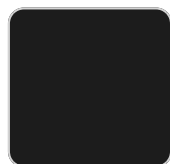
Available in various colors

LACQUERED COLOR INJECTION PP

Ref. 54301F



white wood 1



negro wood 1

—

## estructura

---

ALUMINIUM

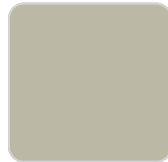
Ref. VVAR02999



white



black



ecru

## Ambients

---

