

JUT COFFEE TABLE 120x80x30

By Studio Vondom

The Jut collection was the first collection of minimalist outdoor furniture created by Vondom Studio; which was characterized by its ergonomic shapes, functionality and because it was 100% recyclable.

The different products that compose this collection: lounge, sofa, armchair, chair, armchair, tables, stools and high table, are manufactured by the rotational molding process, with a polyethylene resin; which is a 100% recyclable.

This collection is also composed by the "Lisa" outdoor carpets, Bubbles and The Second Light lamps, which make this a complete collection for those terrace spaces in which minimalism and exclusivity are an essential.

View online: <https://www.vondom.com/products/44403>



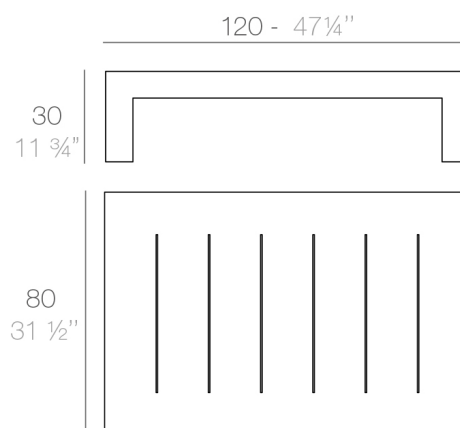
Features

Description

Made of polyethylene resin by rotational moulding. 100% Recyclable. Item suitable for indoor and outdoor use. Available in different finishes.

Weight

16 Kg



JUT Mesa Baja 120 x 80
JUT Low Table 47 1/4" x 31 1/2"

FINISHES

BASIC

Ref. 44403

Matt Polyethylene

- ICE
- WHITE
- BLACK
- BRONZE
- STEEL
- ANTHRACITE
- RED
- PISTACHIO
- ORANGE
- KHAKI
- NAVY
- PLUM
- TAUPE
- ECRU

 BEIGE

LACQUERED

Ref. 44403F

Lacquered Polyethylene

- WHITE
- BLACK
- BRONZE
- STEEL
- ANTHRACITE
- RED
- PISTACHIO
- ORANGE
- KHAKI
- NAVY
- PLUM
- TAUPE
- ECRU
- BEIGE
- CHAMPANY

