

PAL TABLE 90 IROKO WOOD LEGS

By Karim Rashid

Karim Rashid and Vondom, create "Pal", a selection of exclusive, minimalistic and colorful collections.

Doux and Sloo are 2 collections that stand out, consisting of planters, tables, and versatile chairs, which give any space an avant-garde touch.

Whilst the Kannelloni, Spagueti and Vlek collections are composed of planters, which are distinguished by their futuristic shapes, and the wide range of finishes and colors that allow them to drift seamlessly between indoor and outdoor spaces

These designs are ideal in hotels or in private residences.
View online: <https://www.vondom.com/products/51028>



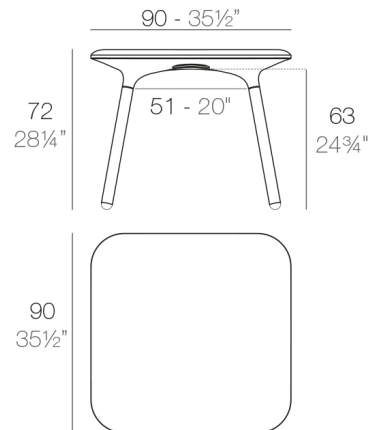
Features

Description

Made of polyethylene resin by rotational moulding. 100% Recyclable. Item suitable for indoor and outdoor use. Available in different finishes.

Weight

12.63 Kg



PAL Mesa 90x90
PAL Table 35½"x35½"

FINISHES

BASIC

Ref. 51028

Matt Polyethylene

- ICE
- WHITE
- BLACK
- BRONZE
- STEEL
- ANTHRACITE
- RED
- PISTACHIO
- ORANGE
- KHAKI
- NAVY
- TAUPE
- PLUM
- ECRU

■ BEIGE

LACQUERED

Ref. 51028F

Lacquered Polyethylene

- ICE
- WHITE
- BLACK
- BRONZE
- STEEL
- ANTHRACITE
- RED
- PISTACHIO
- ORANGE
- KHAKI
- NAVY
- TAUPE
- PLUM
- ECRU
- BEIGE
- CHAMPANY

