

## F3 TABLE 90x190x72

By Fabio Novembre

F3 = Form follows function.

A collection based on mathematical surfaces that flow freely until reach the perfect function of each element. An apparently simple design that requires an accurate study of engineering and high precision, achieving stackability concept never seen before in rotomolding.

Through the various pieces of the collection manages to combine its aesthetic and functional function. Sculptural beauty lines that help us to flow from its shape. Mathematical Science became design ...

View online: <https://www.vondom.com/products/60004>



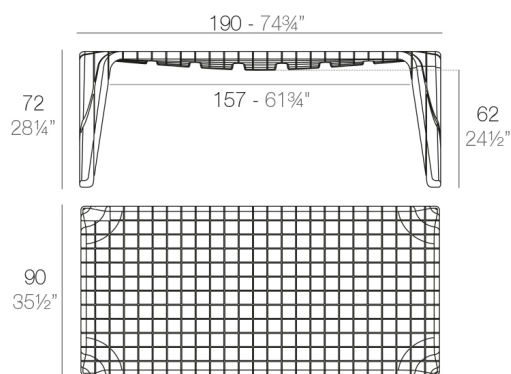
### Features

#### Description

Made of polyethylene resin by rotational moulding. 100% Recyclable. Item suitable for indoor and outdoor use. Available in different finishes.

#### Weight

27 Kg



F<sup>3</sup> Mesa  
F<sup>3</sup> Dining Table

### FINISHES

#### BASIC

Ref. 60004

Matt Polyethylene

- WHITE
- BLACK
- BRONZE
- STEEL
- ANTHRACITE
- RED
- PISTACHIO
- ORANGE
- KHAKI
- NAVY
- TAUPE
- PLUM
- ECRU
- BEIGE

## LACQUERED

Ref. 60004F

Lacquered Polyethylene

-  WHITE
-  BLACK
-  BRONZE
-  STEEL
-  ANTHRACITE
-  RED
-  PISTACHIO
-  ORANGE
-  KHAKI
-  NAVY
-  TAUPE
-  PLUM
-  ECRU
-  BEIGE
-  CHAMPANY

## TWO-TONE LACQUERED

Ref. 60004FP

Two-tone lacquered Polyethylene

-  BLACK
-  BRONZE
-  STEEL
-  ANTHRACITE
-  RED
-  PISTACHIO
-  ORANGE
-  KHAKI
-  NAVY
-  TAUPE
-  PLUM
-  ECRU
-  BEIGE
-  CHAMPANY

## Optional

---

## COVER

Waterproof Protective cover

