

REST SOFA LEFT

By A-cero



Inspired by ORIGAMI, the Japanese art based on folding paper in order to get different forms, and the motto of "Less is more" The whole is composed of an armchair, sofa, and table, with a modular structure which allows you to freely adapt them to your individual needs in any space. The manufacturing process used is rotational moulding, which is a technical process that guarantees the maximum quality of the final product by taking care of even the smallest details.

REST reflects the spirit of its creators, who are always loyal to elegance, beauty and exclusiveness, as well as the complete adjustment to customers. From well-defined, geometrical, yet elegant and light shapes, a new collection is born that provides maximum comfort for its users and fits perfectly in with innovative architecture, thanks to its contemporary design, a characteristic principle from the A-cero studio.

View online: <https://www.vondom.com/products/53002>

Features

Description

Made of polyethylene resin by rotational moulding. 100% Recyclable. Item suitable for indoor and outdoor use. Available in different finishes.

Weight

28 Kg

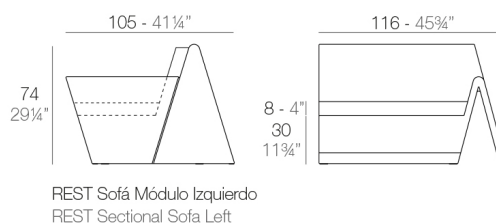
Includes

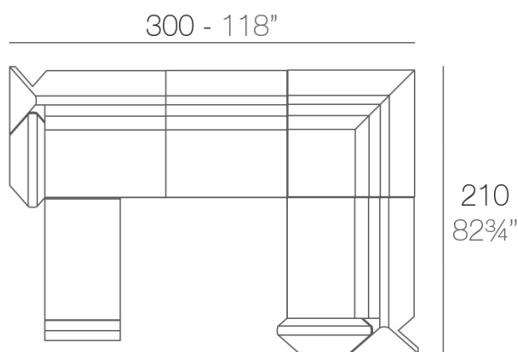
CREVIN Upholstery fabric, that as and natural appearance and can be easy cleaned by washing machines, allowing an easy removal of mildew. Suitable for indoor and outdoor use

NAUTIC Soft leather like fabric suitable for indoor and outdoor use. Stantard option for upholstery.

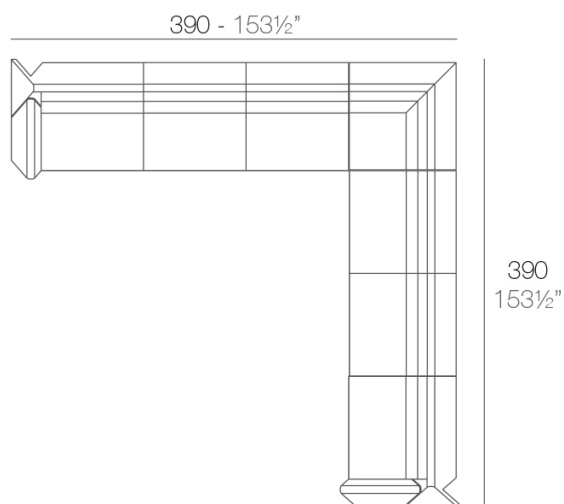
SILVERTEX Vinyl fabric suitable for indoor and outdoor use. Special option for upholstery.

Combinations

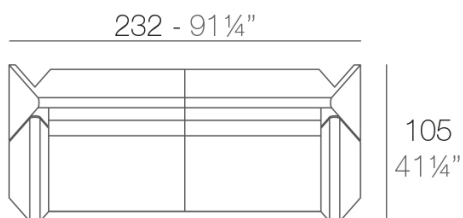




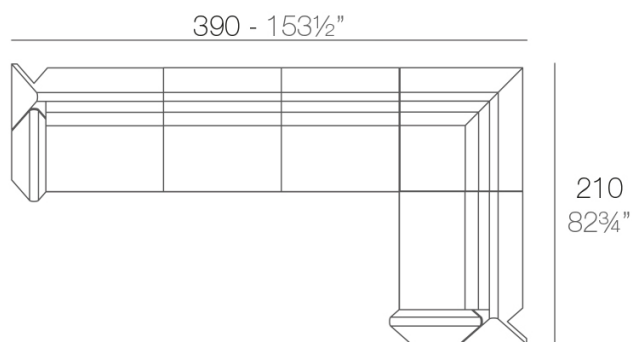
- 1 x 53004** Módulo Central - Sectional Sofa Armless
- 1 x 53002** Módulo Izquierdo - Sectional Sofa Left
- 1 x 53003** Módulo Derecho - Sectional Sofa Right
- 1 x 53005** Puff - Ottoman
- 1 x 54006** Módulo Esquina - Sectional Sofa Comer



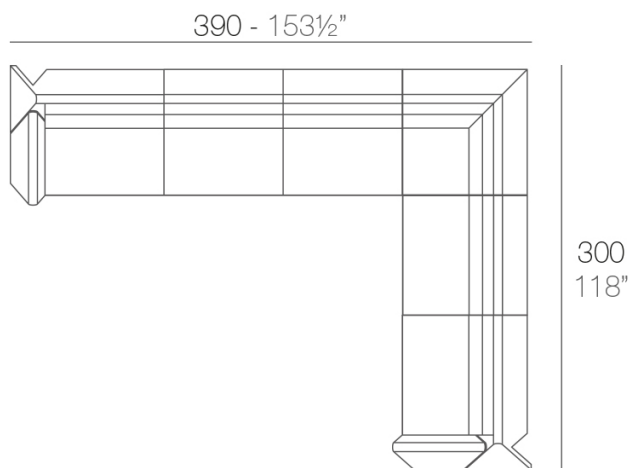
- 4 x 53004** Módulo Central - Sectional Sofa Armless
- 1 x 53002** Módulo Izquierdo - Sectional Sofa Left
- 1 x 53003** Módulo Derecho - Sectional Sofa Right
- 1 x 53005** Puff - Ottoman



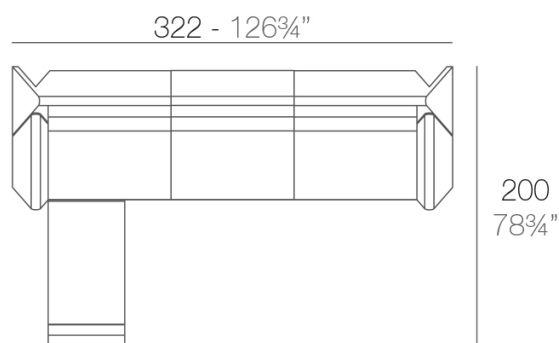
- 1 x 53002** Módulo Izquierdo - Sectional Sofa Left
- 1 x 53003** Módulo Derecho - Sectional Sofa Right



- 2 x 53004** Módulo Central - Sectional Sofa Armless
- 1 x 53002** Módulo Izquierdo - Sectional Sofa Left
- 1 x 53003** Módulo Derecho - Sectional Sofa Right
- 1 x 53005** Puff - Ottoman



- 3 x 53004** Módulo Central - Sectional Sofa Armless
1 x 53002 Módulo Izquierdo - Sectional Sofa Left
1 x 53003 Módulo Derecho - Sectional Sofa Right
1 x 53005 Puff - Ottoman



- 1 x 53004** Módulo Central - Sectional Sofa Armless
1 x 53002 Módulo Izquierdo - Sectional Sofa Left
1 x 53003 Módulo Derecho - Sectional Sofa Right
1 x 53005 Puff - Ottoman

Finishes

BASIC

Ref. 53002

Matt Polyethylene

LACQUERED

Ref. 53002F

Lacquered Polyethylene

LIGHT

Ref. 53002W

White internally lit unit with LED technology. Available only in matte ice white finish.

RGBW LED

Ref. 53002L

Unit with internal lighting with RGBW LED technology and remote control unit for switching colors. Available only in matte ice white finish. Remote control included.

RGBW LED DMX

Ref. 53002D

Unit with internal lighting with RGBW LED technology and remote control unit for switching colors. Also controlled by DMX-1024 (wireless), enabling communication between one or more products simultaneously via the DMX transmitter (not included).

RGBW LED BATTERY

Ref. 53002Y

Unit with internal lighting with battery-powered RGBW LED technology. Includes charger and remote control for switching colors and charger. Available only in matte ice white finish.

RGBW LED DMX BATTERY

Ref. 53002DY

Unit with internal lighting with RGBW LED technology and remote control unit for switching colors. Also controlled by DMX-1024 (wireless), enabling communication between one or more products simultaneously via the DMX transmitter (not included).

COLOR	BASIC	LACQUERED / LACADO	LUZ	LED RGB DMX BATERIA
ICE	<input type="checkbox"/>	<input type="checkbox"/>	<input type="checkbox"/>	<input type="checkbox"/>
WHITE	<input type="checkbox"/>	<input type="checkbox"/>	<input type="checkbox"/>	<input type="checkbox"/>
BLACK	<input type="checkbox"/>	<input type="checkbox"/>	<input type="checkbox"/>	<input type="checkbox"/>
BRONZE	<input type="checkbox"/>	<input type="checkbox"/>	<input type="checkbox"/>	<input type="checkbox"/>
STEEL	<input type="checkbox"/>	<input type="checkbox"/>	<input type="checkbox"/>	<input type="checkbox"/>
ANTHRACITE	<input type="checkbox"/>	<input type="checkbox"/>	<input type="checkbox"/>	<input type="checkbox"/>
RED	<input type="checkbox"/>	<input type="checkbox"/>	<input type="checkbox"/>	<input type="checkbox"/>
PISTACHIO	<input type="checkbox"/>	<input type="checkbox"/>	<input type="checkbox"/>	<input type="checkbox"/>

ORANGE			<input type="checkbox"/>	<input type="checkbox"/>
KHAKI			<input type="checkbox"/>	<input type="checkbox"/>
NAVY			<input type="checkbox"/>	<input type="checkbox"/>
TAUPE			<input type="checkbox"/>	<input type="checkbox"/>
PLUM			<input type="checkbox"/>	<input type="checkbox"/>
ECRU			<input type="checkbox"/>	<input type="checkbox"/>
BEIGE			<input type="checkbox"/>	<input type="checkbox"/>
CHAMPANY	<input type="checkbox"/>		<input type="checkbox"/>	<input type="checkbox"/>

