

# REST SOFA CORNER

By A-cero



Inspired by ORIGAMI, the Japanese art based on folding paper in order to get different forms, and the motto of "Less is more" The whole is composed of an armchair, sofa, and table, with a modular structure which allows you to freely adapt them to your individual needs in any space. The manufacturing process used is rotational moulding, which is a technical process that guarantees the maximum quality of the final product by taking care of even the smallest details.

REST reflects the spirit of its creators, who are always loyal to elegance, beauty and exclusiveness, as well as the complete adjustment to customers. From well-defined, geometrical, yet elegant and light shapes, a new collection is born that provides maximum comfort for its users and fits perfectly in with innovative architecture, thanks to its contemporary design, a characteristic principle from the A-cero studio.

View online: <https://www.vondom.com/products/53005>

## Features

### Description

Made of polyethylene resin by rotational moulding. 100% Recyclable. Item suitable for indoor and outdoor use. Available in different finishes.

### Weight

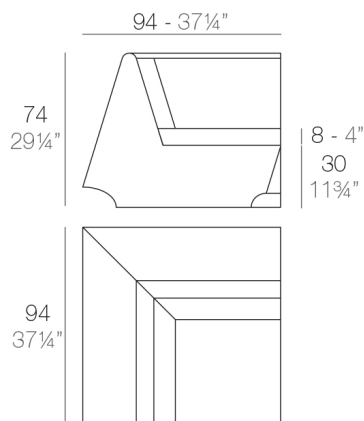
23 Kg

### Includes

CREVIN Upholstery fabric, that as and natural appearance and can be easy cleaned by washing machines, allowing an easy removal of mildew. Suitable for indoor and outdoor use

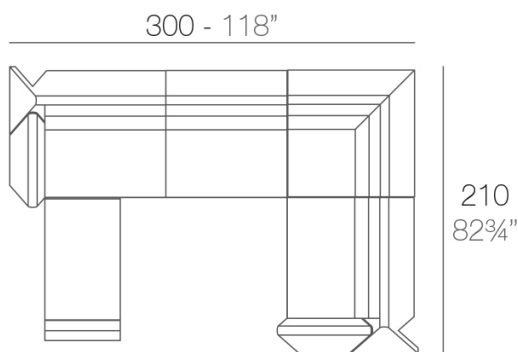
NAUTIC Soft leather like fabric suitable for indoor and outdoor use. Stantard option for upholstery.

SILVERTEX Vinyl fabric suitable for indoor and outdoor use. Special option for upholstery.

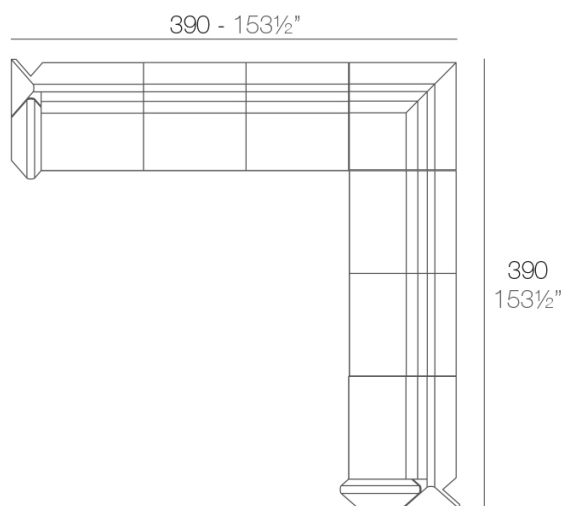


REST Sofá Módulo Esquina  
REST Sectional Sofa Corner

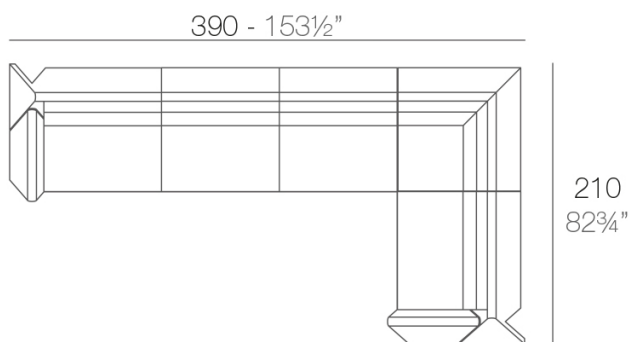
## Combinations



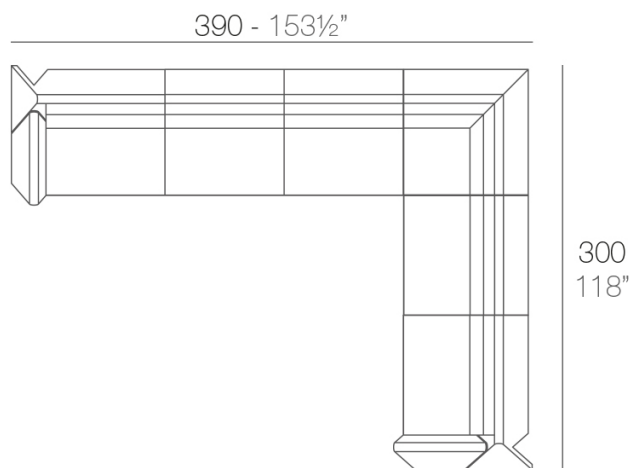
- 1 x 53004** Módulo Central - Sectional Sofa Armless
- 1 x 53002** Módulo Izquierdo - Sectional Sofa Left
- 1 x 53003** Módulo Derecho - Sectional Sofa Right
- 1 x 53005** Puff - Ottoman
- 1 x 54006** Módulo Esquina - Sectional Sofa Comer



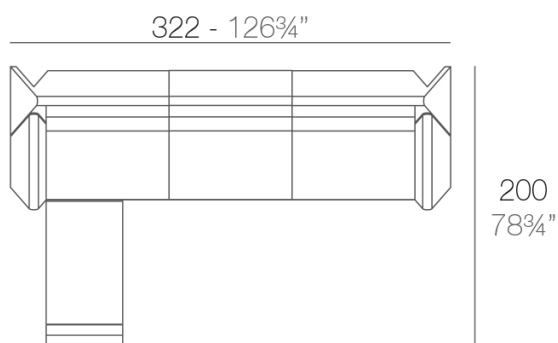
- 4 x 53004** Módulo Central - Sectional Sofa Armless
- 1 x 53002** Módulo Izquierdo - Sectional Sofa Left
- 1 x 53003** Módulo Derecho - Sectional Sofa Right
- 1 x 53005** Puff - Ottoman



- 2 x 53004** Módulo Central - Sectional Sofa Armless
- 1 x 53002** Módulo Izquierdo - Sectional Sofa Left
- 1 x 53003** Módulo Derecho - Sectional Sofa Right
- 1 x 53005** Puff - Ottoman



- 3 x 53004** Módulo Central - Sectional Sofa Armless
- 1 x 53002** Módulo Izquierdo - Sectional Sofa Left
- 1 x 53003** Módulo Derecho - Sectional Sofa Right
- 1 x 53005** Puff - Ottoman



- 1 x 53004** Módulo Central - Sectional Sofa Armless
- 1 x 53002** Módulo Izquierdo - Sectional Sofa Left
- 1 x 53003** Módulo Derecho - Sectional Sofa Right
- 1 x 53005** Puff - Ottoman

## Finishes

### BASIC

Ref. 53005

Matt Polyethylene

### LACQUERED

Ref. 53005F

Lacquered Polyethylene

### LIGHT

Ref. 53005W

White internally lit unit with LED technology. Available only in matte ice white finish.

### RGBW LED

Ref. 53005L

Unit with internal lighting with RGBW LED technology and remote control unit for switching colors. Available only in matte ice white finish. Remote control included.

### RGBW LED DMX

Ref. 53005D

Unit with internal lighting with RGBW LED technology and remote control unit for switching colors. Also controlled by DMX-1024 (wireless), enabling communication between one or more products simultaneously via the DMX transmitter (not included).

### RGBW LED BATTERY

Ref. 53005Y

Unit with internal lighting with battery-powered RGBW LED technology. Includes charger and remote control for switching colors and charger. Available only in matte ice white finish.

### RGBW LED DMX BATTERY

Ref. 53005DY

Unit with internal lighting with RGBW LED technology and remote control unit for switching colors. Also controlled by DMX-1024 (wireless), enabling communication between one or more products simultaneously via the DMX transmitter (not included).

COLOR	BASIC	LACQUERED / LACADO	LUZ	LED RGB DMX BATERIA
ICE	<input checked="" type="checkbox"/>	<input type="checkbox"/>	<input checked="" type="checkbox"/>	<input checked="" type="checkbox"/>
PLUM 3119	<input type="checkbox"/>	<input type="checkbox"/>	<input type="checkbox"/>	<input type="checkbox"/>
ECRU 3111	<input type="checkbox"/>	<input type="checkbox"/>	<input type="checkbox"/>	<input type="checkbox"/>
BEIGE 3105	<input type="checkbox"/>	<input type="checkbox"/>	<input type="checkbox"/>	<input type="checkbox"/>
ORANGE 3115	<input type="checkbox"/>	<input type="checkbox"/>	<input type="checkbox"/>	<input type="checkbox"/>
RED 3117	<input type="checkbox"/>	<input type="checkbox"/>	<input type="checkbox"/>	<input type="checkbox"/>
BLACK 3126	<input type="checkbox"/>	<input type="checkbox"/>	<input type="checkbox"/>	<input type="checkbox"/>
WHITE 3102	<input type="checkbox"/>	<input type="checkbox"/>	<input type="checkbox"/>	<input type="checkbox"/>

ACUALIS NAPA41	<input type="checkbox"/>	<input type="checkbox"/>	<input type="checkbox"/>	<input type="checkbox"/>
BRONZE 3120	<input type="checkbox"/>	<input type="checkbox"/>	<input type="checkbox"/>	<input type="checkbox"/>
STEEL 3112	<input type="checkbox"/>	<input type="checkbox"/>	<input type="checkbox"/>	<input type="checkbox"/>
WHITE 4004	<input type="checkbox"/>	<input type="checkbox"/>	<input type="checkbox"/>	<input type="checkbox"/>
CHAMPAGNE 1051	<input type="checkbox"/>	<input type="checkbox"/>	<input type="checkbox"/>	<input type="checkbox"/>
ECRU 0009	<input type="checkbox"/>	<input type="checkbox"/>	<input type="checkbox"/>	<input type="checkbox"/>
BRONZE 0005	<input type="checkbox"/>	<input type="checkbox"/>	<input type="checkbox"/>	<input type="checkbox"/>
KHAKI 5009	<input type="checkbox"/>	<input type="checkbox"/>	<input type="checkbox"/>	<input type="checkbox"/>
STEEL 4001	<input type="checkbox"/>	<input type="checkbox"/>	<input type="checkbox"/>	<input type="checkbox"/>
PLUM 2016	<input type="checkbox"/>	<input type="checkbox"/>	<input type="checkbox"/>	<input type="checkbox"/>
NAVY 3068	<input type="checkbox"/>	<input type="checkbox"/>	<input type="checkbox"/>	<input type="checkbox"/>
BEIGE 1010	<input type="checkbox"/>	<input type="checkbox"/>	<input type="checkbox"/>	<input type="checkbox"/>
PISTACHIO 5008	<input type="checkbox"/>	<input type="checkbox"/>	<input type="checkbox"/>	<input type="checkbox"/>
TAUPE 4024	<input type="checkbox"/>	<input type="checkbox"/>	<input type="checkbox"/>	<input type="checkbox"/>
VITA-IMP 07	<input type="checkbox"/>	<input type="checkbox"/>	<input type="checkbox"/>	<input type="checkbox"/>
VITA-IMP 14	<input type="checkbox"/>	<input type="checkbox"/>	<input type="checkbox"/>	<input type="checkbox"/>
VITA-IMP 51	<input type="checkbox"/>	<input type="checkbox"/>	<input type="checkbox"/>	<input type="checkbox"/>
VITA-IMP 54	<input type="checkbox"/>	<input type="checkbox"/>	<input type="checkbox"/>	<input type="checkbox"/>
VITA-IMP 42	<input type="checkbox"/>	<input type="checkbox"/>	<input type="checkbox"/>	<input type="checkbox"/>
VITA-IMP 30	<input type="checkbox"/>	<input type="checkbox"/>	<input type="checkbox"/>	<input type="checkbox"/>
VITA-IMP 53	<input type="checkbox"/>	<input type="checkbox"/>	<input type="checkbox"/>	<input type="checkbox"/>
VITA-IMP 55	<input type="checkbox"/>	<input type="checkbox"/>	<input type="checkbox"/>	<input type="checkbox"/>
WHITE	<input type="checkbox"/>	<input type="checkbox"/>	<input type="checkbox"/>	<input type="checkbox"/>
BLACK	<input type="checkbox"/>	<input type="checkbox"/>	<input type="checkbox"/>	<input type="checkbox"/>
BRONZE	<input type="checkbox"/>	<input type="checkbox"/>	<input type="checkbox"/>	<input type="checkbox"/>
STEEL	<input type="checkbox"/>	<input type="checkbox"/>	<input type="checkbox"/>	<input type="checkbox"/>
ANTHRACITE	<input type="checkbox"/>	<input type="checkbox"/>	<input type="checkbox"/>	<input type="checkbox"/>
RED	<input type="checkbox"/>	<input type="checkbox"/>	<input type="checkbox"/>	<input type="checkbox"/>
PISTACHIO	<input type="checkbox"/>	<input type="checkbox"/>	<input type="checkbox"/>	<input type="checkbox"/>
ORANGE	<input type="checkbox"/>	<input type="checkbox"/>	<input type="checkbox"/>	<input type="checkbox"/>
KHAKI	<input type="checkbox"/>	<input type="checkbox"/>	<input type="checkbox"/>	<input type="checkbox"/>
NAVY	<input type="checkbox"/>	<input type="checkbox"/>	<input type="checkbox"/>	<input type="checkbox"/>
TAUPE	<input type="checkbox"/>	<input type="checkbox"/>	<input type="checkbox"/>	<input type="checkbox"/>
PLUM	<input type="checkbox"/>	<input type="checkbox"/>	<input type="checkbox"/>	<input type="checkbox"/>
ECRU	<input type="checkbox"/>	<input type="checkbox"/>	<input type="checkbox"/>	<input type="checkbox"/>
BEIGE	<input type="checkbox"/>	<input type="checkbox"/>	<input type="checkbox"/>	<input type="checkbox"/>
CHAMPANY	<input type="checkbox"/>	<input type="checkbox"/>	<input type="checkbox"/>	<input type="checkbox"/>

