

## Sabinas lamp high

by Javier Mariscal

Sabinas Collection of design furniture, by Javier Mariscal for Vondom, draws **inspiration from organic and fluid shapes**, avoiding any straight lines or geometric patterns. The contours of the pieces are reminiscent of sand dunes and feminine curves, evoking a sense of natural beauty.



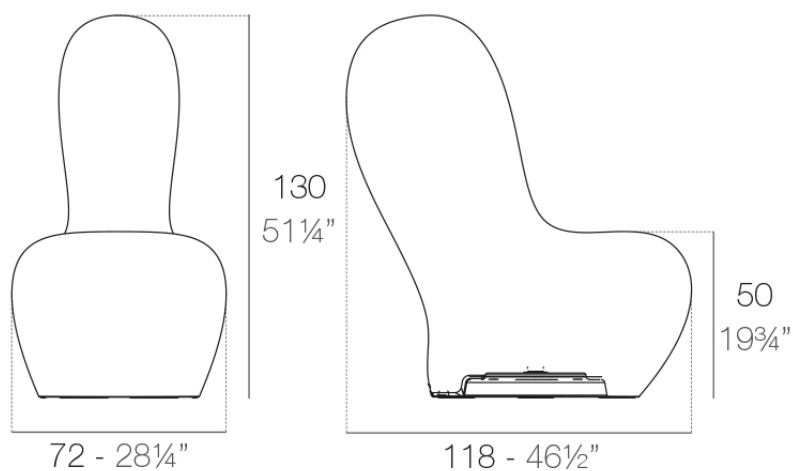
## Info

---

### Description

Made of polyethylene resin by rotational moulding. 100% Recyclable. Item suitable for indoor and outdoor use. Available in different finishes.

Weight: 31.01 Kg



SABINAS Lámpara High  
Sabinas High Lamp

## Finishes

---

### lighting

---

Led – White  
Ref. 45010W



ice 2101

White internally lit unit with LED technology. Available only in matte ice white finish.

LED RGBW – Cable  
Ref. 45010L



ice 2101

Unit with internal lighting with RGBW LED technology and remote control unit for switching colors. Available only in matte ice white finish. Remote control included.

LED RGBW DMX – Cable  
Ref. 45010D



ice 2101

Unit with internal lighting with RGBW LED technology and remote control unit for switching colors. Also controlled by DMX-1024 (wireless), enabling communication between one or more products simultaneously via the DMX transmitter (not included). There are two options to choose from: Professional XLR DMX and Home WIFI DMX. (Remote control included).  
Optional battery

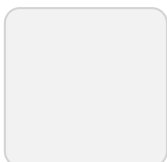
LED RGBW – Battery  
Ref. 45010Y



ice 2101

Unit with internal lighting with battery-powered RGBW LED technology. Includes charger and remote control for switching colors and charger. Available only in matte ice white finish.

LED RGBW DMX – Battery  
Ref. 45010DY



ice 2101

Unit with internal lighting with RGBW LED technology and remote control unit for switching colors. Also controlled by DMX-1024 (wireless), enabling communication between one or more products simultaneously via the DMX

# VONDOM

transmitter (not included). There are two options to choose from: Professional XLR DMX and Home WIFI DMX. (Remote control included).

## Ambients

---

