

Vases table 100x100x73

by JM Ferrero

VASES Collection, is made up of flowerpots, furniture and lighting designed by the Valencian designer JM Ferrero. The shapes of the pieces draw inspiration from diamond cutting, resulting in clear-cut shapes with great style that create a visually striking impact.

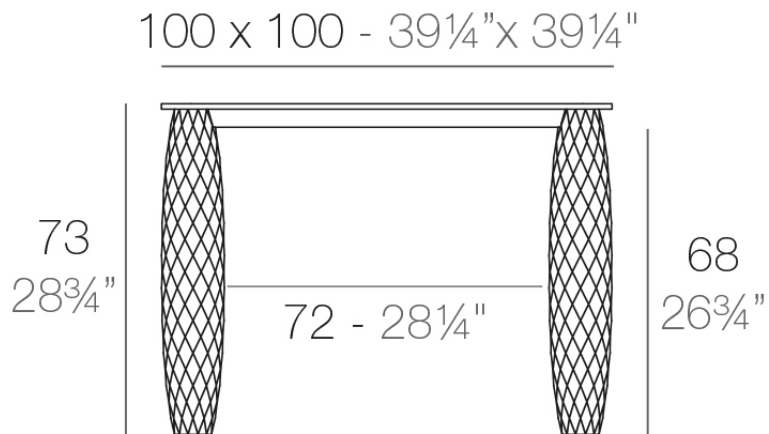


Info

Description

Made of polyethylene resin by rotational moulding. 100% Recyclable. Item suitable for indoor and outdoor use. Available in different finishes.

Weight: 32.3 Kg



VASES Mesa 100x100

VASES Dining Table 39 $\frac{1}{4}$ "x39 $\frac{1}{4}$ "

Finishes

finishes

Basic

Ref. 47080



white 2001



black 2002



ecru 2003



tortora 2004



gray 2005



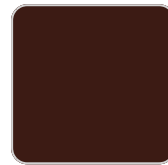
anthracite 2006



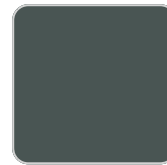
brown 2008



red



garnet 2015



green 2016



cream 2017



blue 2018



ice 2101



khaki



beige

Matt Polyethylene

Lacquered

Ref. 47080F



white 3101



black 3102



ecru 3103



tortora 3104



gray 3105

VONDOM



anthracite 3106



garnet 3113



green 3116



cream 3117



blue 3118



brown 3125

Lacquered Polyethylene

tabletops

HPL Solid Core Top

Ref. VVAR00563



white (white edge)



ecru



tortora



smoked



cream



camel



clay



garnet



brown



green



ocean



blue



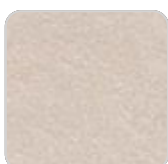
gray



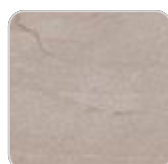
anthracite



white stone



cream stone



ecru stone



tortora stone



green stone



gray stone

VONDOM



black stone



oak1



oak2

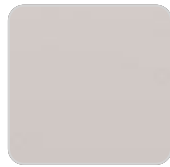


walnut

HPL Black Edge Top Ref. VVAR00563



white(black edge)



ecru(black edge)



black(black edge)

