

## Quartz dining table ø90

by Ramón Esteve

The Quartz collection of modern chairs and tables, designed by Ramón Esteve for Vondom, has a distinctive appearance characterized by **vertical lines** and triangular profiles. One of its outstanding features is the line of one of its vertices, which creates an impression of lightness, making the furniture seem almost weightless, while still ensuring robust functionality.

Crafted with high quality materials, this modern collection of chairs and tables is perfect for enhancing both indoor and outdoor spaces. With its elegant design and durability, the Quartz collection blends seamlessly into any environment, striking the perfect balance between form and function.



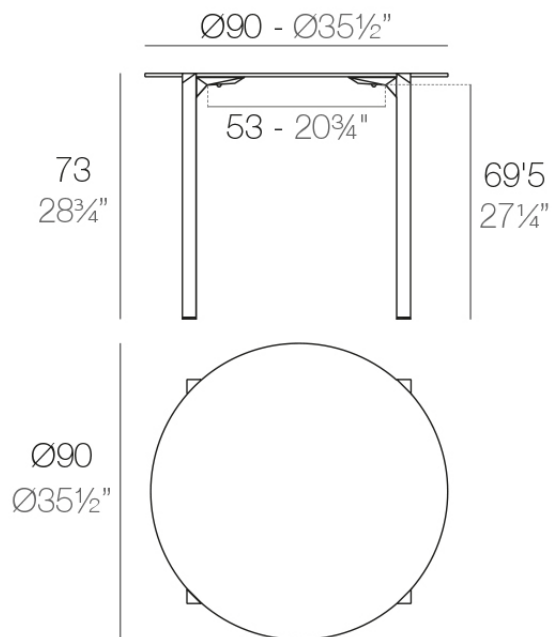
## Info

---

### Description

Made from polypropylene and reinforced with fiberglass manufactured by gas injection. Available in various colors. Suitable for indoor and outdoor use.

Weight: 10.8 Kg



QUARTZ Mesa Ø90  
QUARTZ Table Ø35 1/2"

## Finishes

---

### tabletops

---

HPL Black Edge Top

Ref. 54201



white



black



ecru

HPL black edge

HPL Solid Core Top

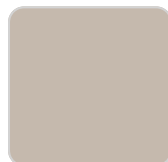
Ref. 54201B



white



black



ecru

HPL solid core

### tabletops

---

HPL Solid Core Top

Ref. VVAR02351

# VONDOM



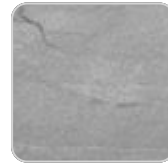
ecru stone



tortora stone



black stone



gray stone



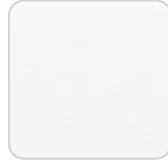
white stone



smoked



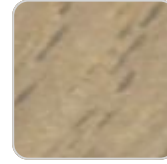
oak1



white (white edge)



ecru



oak2



tortora



cream



garnet



brown



green



blue



anthracite

## HPL Black Edge Top

Ref. VVAR02351



white(black edge)



ecru(black edge)



black(black edge)

# VONDOM