

Vineyard planter wheel

by Ramón Esteve

Designed by Ramón Esteve, the Vineyard collection is a testament to the excellence of wooden modern outdoor furniture crafted with a harmonious fusion of aluminum and wood. This collection not only embodies a modern aesthetic, but also exudes a rustic warmth that blends effortlessly into a variety of outdoor spaces.

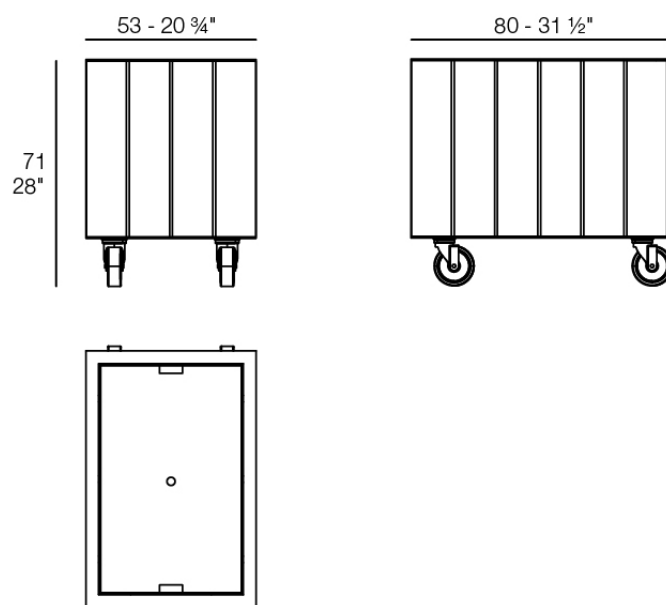
Each piece in the Vineyard collection exemplifies Ramón Esteve's signature craftsmanship and meticulous attention to detail, ensuring both style and durability in outdoor furnishings. Ideal for those who appreciate quality and sophistication, this collection offers a perfect blend of form and function.



Info

Description

Weight: 43.7 Kg



VINEYARD Maceta 800 x 500 C = 152 L
VINEYARD Planter 31 1/2" x 20 3/4" C = 40 gal

Finishes

finishes

TEAK FINISH – Natural
Ref. 54508SU

panel/top

Aluminium
Ref. 54508AA



white



anthracite



black



cream



ecru



tortora



garnet



brown



smoked



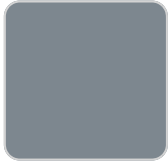
green



blue

Ref. 54508AA

VONDOM



gray

Teak

Ref. 54508AA



natural teak



weathered teak

