

Luna planter ø60x41 cm

by Ramón Esteve

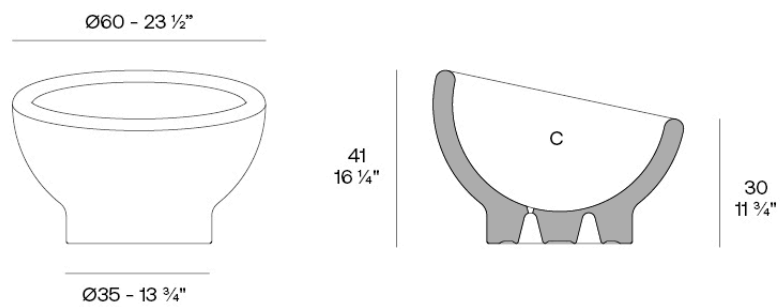
Luna channels the revolutionary spirit of design icons such as Verner Panton and Joe Colombo, known for their influential contributions to outdoor and contemporary furniture. Inspired by their pioneering work, the Luna collection fuses avant-garde materials with bold forms to epitomize the democratization of outdoor furniture, seamlessly blending functionality with striking aesthetics and a timeless elegance that redefines sophistication in contemporary furniture.



Info

Description

Weight: 6.5 Kg



Luna. Macetero Ø60 cm
Luna. Planter 23 1/2"
54856

C = 23 L
C = 6 gal

Finishes

finishes

Basic

Ref. 54856



white 2001



black 2002



ecru 2003



tortora 2004



gray 2005



anthracite 2006



brown 2008



garnet 2015



green 2016



cream 2017



blue 2018



camel 2020



clay 2022



ecru granite



cream granite



ice 2101

Matt Polyethylene

Lacquered

Ref. 54856F

VONDOM



white 3101



black 3102



ecru 3103



tortora 3104



gray 3105



anthracite 3106



garnet 3113



green 3116



cream 3117



blue 3118



camel 3120



clay



brown 3125

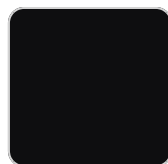
Lacquered Polyethylene

plato

Ref. 42743



white 2001



black 2002



ecru 2003



tortora 2004



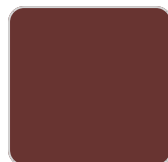
gray 2005



anthracite 2006



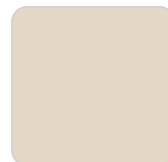
brown 2008



garnet 2015



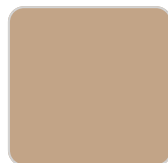
green 2016



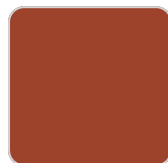
cream 2017



blue 2018



camel 2020



clay 2022



ecru granite



cream granite

VONDOM



ice 2101

