

Spritz table 59x59x28

by Archirivolto Design

The Spritz collection of modern outdoor furniture, designed by [Archirivolto Design](#) for [Vondom](#), is a beautiful blend of aesthetics and functionality. This remarkable collection is inspired by the image of **white wooden fences running along the beach**, creating perfectly aligned strips that evoke a sense of calm and order. The contemporary outdoor furniture in this collection captures the subtle yet captivating details of this serene scene, allowing you to add a touch of coastal charm to your own outdoor spaces.

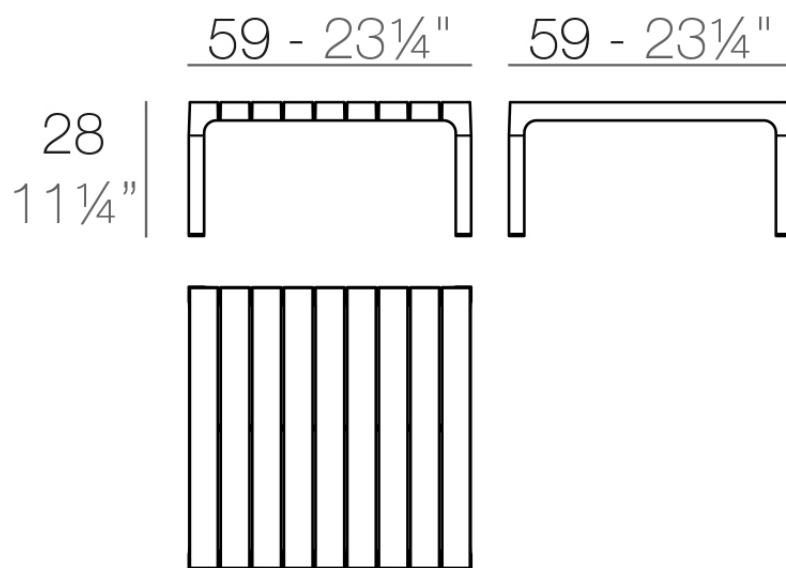
What truly sets this collection of modern outdoor furniture apart is its commitment to European design and production, ensuring quality craftsmanship and meticulous attention to detail. Each piece is crafted not only for visual appeal, but also for durability and comfort, making it perfect for enjoying your outdoor moments.



Info

Description

Weight: 4.64 Kg



SPRITZ Mesa Tumbona
SPRITZ Sun Lounger Table

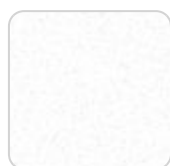
Finishes

finishes

BASIC PP
Ref. 56029



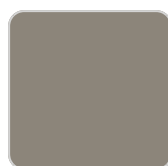
anthracite



white 201



ecru 2003



tortora



black 2002

Available in various colors

