

Manta swivel armchair

by Eugeni Quitllet

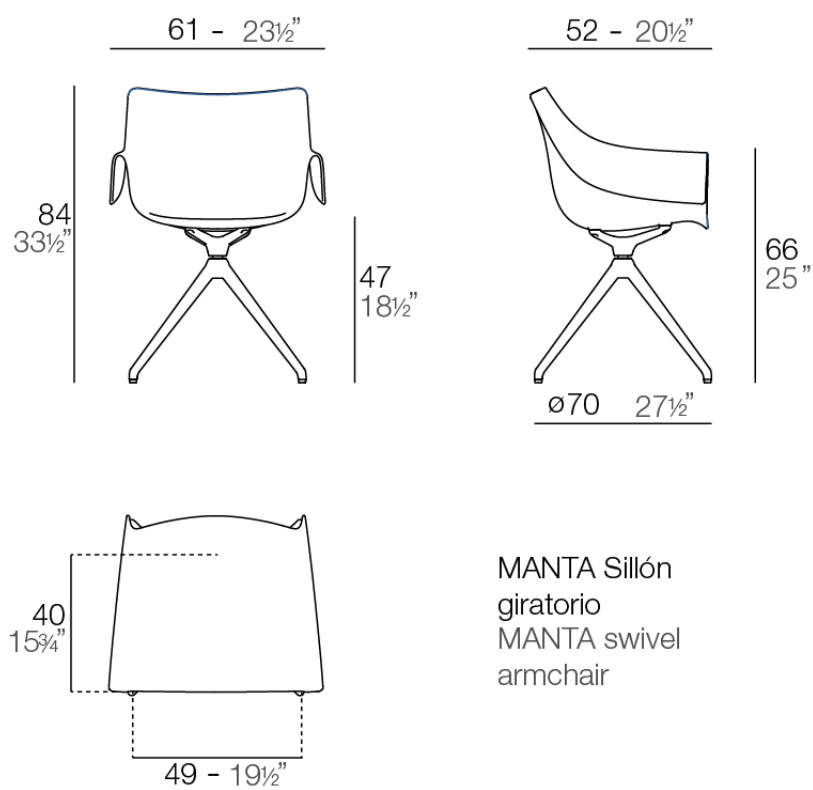
Introducing our latest collection of chairs suitable for both indoor and outdoor use. The Manta chair is an incredibly versatile piece that will fit effortlessly into any space, be it a home, workplace or public venue. The chair's interchangeable design includes seats and bases that can be combined in a variety of ways, offering endless possibilities to create the ideal seating solution for any environment.



Info

Description

Weight: 8.61 Kg



MANTA Sillón
giratorio
MANTA swivel
armchair

Finishes

finishes

Basic

Ref. 65053



white



black



ecru

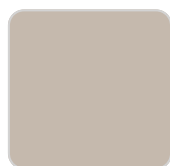
Available in various colors

color sentada

Ref. 65047A



white 201



ecru 2003



black 2002

legs

LEGS

Ref. 65053E

VONDOM



white 201



black 2002

Ambients

