

## Palm table 50x50 73h

by Eugeni Quitllet

Palm captures the essence of the open air: lightness that breathes and an organic lattice that lets the breeze pass through. Its language is soft, enveloping, and natural—a gesture that dresses outdoor and indoor spaces with equal ease.

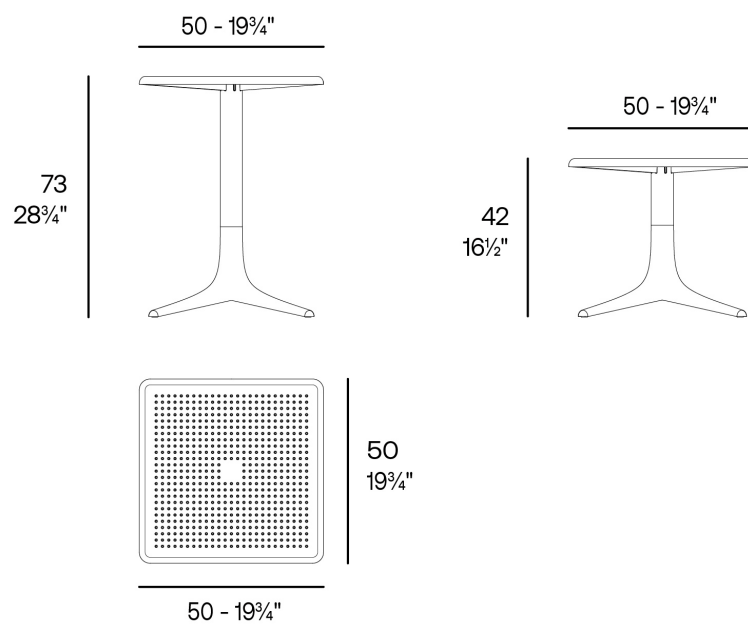


## Info

---

### Description

Weight: 5.74 Kg



PALM Mesa 50x50  
PALM Table 50x50

## Finishes

---

### finishes

---

Basic

Ref. 65064



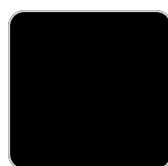
white



black



ecru



tortora

Available in various colors

