

# VOXEL MINI CHAIR

By **KARIM**

Now this collection is made up of the chair and the armchair.

**The Voxel Chair** is the perfect conceptual architectural piece for any space. Based on the Vertex Chair, a former piece by Vondom. It presents a unique structural shape, angular and faceted, only possible due to a production by injection molding. Its weight is distributed in a balanced way due to its smartly designed shape. Its lightweight body makes it easy to transport and arrange.

**The armchair** is a minimal simple yet voluminous stackable chair that is faceted just in the perfect places for comfort, just in the right angles for hyper-strength, imbuing the correct creases for beauty, and just the few merging and converging lines for purity.  
View online: <https://www.vondom.com/us/products/51036>



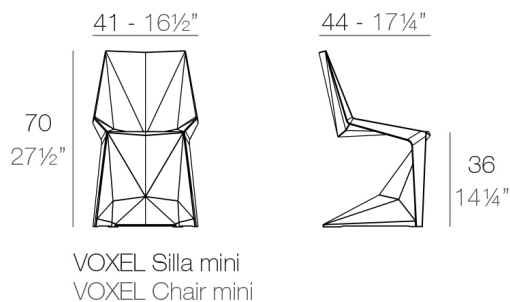
## Features

### Description

Made of injected polypropylene with fiber glass. Stackable. Available in several colors. Item suitable for indoor and outdoor use.

### Weight

3.4 Kg



## Finishes

### BASIC PP

Ref. 51036

Available in various colors

### LACQUERED COLOR INJECTION PP

Ref. 51036F

-

COLOR	BASIC PP	LACQUERED COLOR INJECTION PP
ANTHRACITE 3106		
WHITE 3101		
RED 3114		
BLACK 3102		
ALMOND		
WHITE		
BLACK		
RED		

ECRU

