

# QUARTZ DINNING TABLE Ø79

By Ramon Esteve



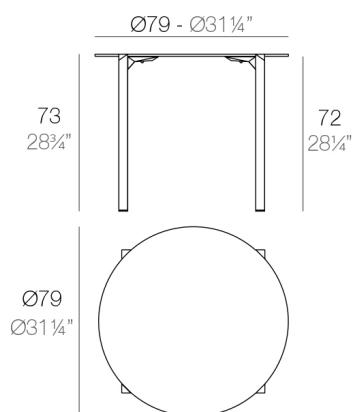
The Quartz collection is characterized by its orthogonal geometry and triangular shaped profiles. Due to the line of one of its vertexes this piece appears extremely light. Inspired by the Quartz Stone and it's properties such as it's hardness and strength, in addition to the distinctive finish of it's shapes. Our chairs have clean cut lines and geometric lightness that blend totally in any environment. Primarily, the Quartz collection stands out for its quest for neutrality and its timeless design.

View online: <https://www.vondom.com/us/products/54218>

## Features

### Description

13.8 Kg



QUARTZ Mesa Ø79  
QUARTZ Table Ø31 1/4"

## Finishes

### BASIC PP

Ref. 54218

Available in various colors

#### COLOR

WHITE  
BLACK  
ECRU

#### BASIC INJECCION PP

