

BLOW SOFA

By STEFANO

BLOW Collection designed by Stefano Giovannoni comes from the willing to develop a new family of products in tune with the Pillow family but different in typology. Whether the PILLOW cushion is "L" bent, in its most simplified conceptual essence, BLOW is a product family that offers a related concept starting from the back-shaped PILLOW that folds forward to create the arms. BLOW springs from the idea of the inflated cushion, offering the more traditional type of easy chair and sofa with armrests. Its comfort as well as its material character permit their use in both indoor and outdoor spaces.

View online: <https://www.vondom.com/us/products/55016>



Features

Description

Made of polyethylene resin by rotational moulding. 100% Recyclable. Item suitable for indoor and outdoor use. Available in different finishes.

Weight

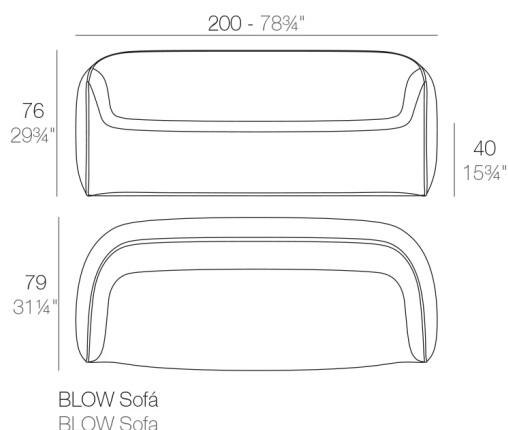
45 Kg

Includes

CREVIN Upholstery fabric, that as and natural appearance and can be easy cleaned by washing machines, allowing an easy removal of mildew. Suitable for indoor and outdoor use

NAUTIC Soft leather like fabric suitable for indoor and outdoor use. Stantard option for upholstery.

SILVERTEX Vinyl fabric suitable for indoor and outdoor use. Special option for upholstery.



FINISHES

BASIC

Ref. 55016

Matt Polyethylene

- ICE
- WHITE
- BLACK
- BRONZE
- STEEL
- ANTHRACITE
- RED
- PISTACHIO
- ORANGE
- KHAKI

- NAVY
- PLUM
- TAUPE
- ECRU
- BEIGE

LACQUERED

Ref. 55016F

Lacquered Polyethylene

- WHITE
- BLACK
- BRONZE
- STEEL
- ANTHRACITE
- RED
- PISTACHIO
- ORANGE
- KHAKI
- NAVY
- PLUM
- TAUPE
- ECRU
- BEIGE
- CHAMPANY

LIGHTING

LIGHT

Ref. 55016W

White internally lit unit with LED technology. Available only in matte ice white finish.

- ICE

RGBW LED

Ref. 55016L

Unit with internal lighting with RGBW LED technology and remote control unit for switching colors. Available only in matte ice white finish. Remote control included.

- ICE

RGBW LED DMX

Ref. 55016D

Unit with internal lighting with RGBW LED technology and remote control unit for switching colors. Also controlled by DMX-1024 (wireless), enabling communication between one or more products simultaneously via the DMX transmitter (not included). There are two options to choose from: Professional XLR DMX and Home WIFI DMX. (Remote control included).
Optional battery

- ICE

RGBW LED BATTERY

Ref. 55016Y

Unit with internal lighting with battery-powered RGBW LED technology. Includes charger and remote control for switching colors and charger. Available only in matte ice white finish.

ICE

RGBW LED DMX BATTERY

Ref. 55016DY

Unit with internal lighting with RGBW LED technology and remote control unit for switching colors. Also controlled by DMX-1024 (wireless), enabling communication between one or more products simultaneously via the DMX transmitter (not included). There are two options to choose from: Professional XLR DMX and Home WIFI DMX. (Remote control included).

ICE

FABRIC

CREVIN

Ref. 55016CO

Vinyl fabric suitable for indoor and outdoor use. Special option for upholstery. Vinyl fabric suitable for indoor and outdoor use. Special option for upholstery.

- VITA-IMP 07
- VITA-IMP 14
- VITA-IMP 51
- VITA-IMP 54
- VITA-IMP 42
- VITA-IMP 30
- VITA-IMP 53
- VITA-IMP 55

NAUTIC

Ref. 55016CO

Vinyl fabric suitable for indoor and outdoor use. Special option for upholstery. Vinyl fabric suitable for indoor and outdoor use. Special option for upholstery.

- ACUALIS NAPA41
- BRONZE 3120
- BLACK 3126
- WHITE 3102
- ORANGE 3115
- BEIGE 3105
- RED 3117
- ECRU 3111
- STEEL 3112
- PLUM 3119

SILVERTEX

Ref. 55016CO

Vinyl fabric suitable for indoor and outdoor use. Special option for upholstery. Vinyl fabric suitable for indoor and outdoor use. Special option for upholstery.

- WHITE 4004
- CHAMPAGNE 1051
- ECRU 0009
- BRONZE 0005
- KHAKI 5009
- STEEL 4001
- PLUM 2016
- NAVY 3068
- BEIGE 1010
- PISTACHIO 5008

■ TAUPE 4024

