

# KES EMBEDDED RECTANGULAR TABLE

By BURATTI



KES is a modular seating system for furnishing outdoor spaces. The main objective is to create endless and articulated compositions; sofas, chaise and lineal and angular poufs. Either armchairs formed by individual elements or large islands as a result of the union of several parts. The most interesting feature in this project is the visible cut on the base part, which makes it possible to insert additional elements, such as backrests, armrests and tables. This cut becomes an architectural, decorative and practical symbol, which is distinct and useful, simple as well as complex, and of great worth in the interpretation of this product.

View online: <https://www.vondom.com/us/products/64011>

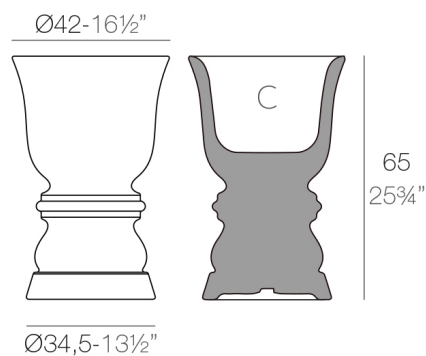
## Features

### Description

Powder coated stainless steel structure table. The tabletop is made of deployé sheet metal.

### Weight

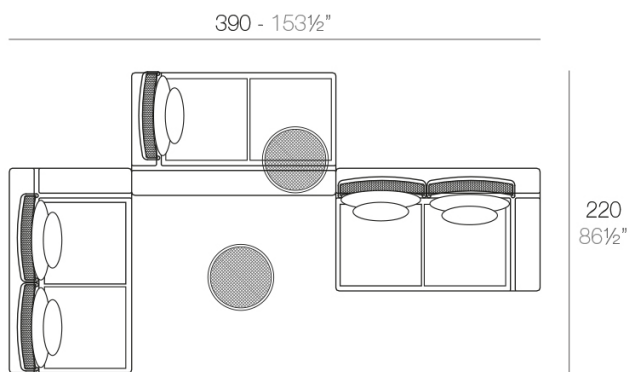
3.73 Kg



SUAVE Macetero 65 cm  
SUAVE Planter 25 3/4"

C = 43 L  
C = 11 1/4 gal

## Combinations



**3 x 64002**Módulo 150x90 cm izquierdo - Sectional left 59" x 35½"

**1 x 64011**Mesa Redonda sin patas - Embedded round tablet

**1 x 64005**Respaldo alto - High backrest

**4 x 64006**Respaldo bajo - Low backrest

**5 x 64014**Pack 2 Cojines - Set 2 Pillows

**1 x 64007**Mesa redonda Ø40 - Round table Ø15¾"

## FINISHES

### BASIC

Ref. 64011

Matt Polyethylene

- WHITE
- BLACK
- BRONZE
- STEEL
- ANTHRACITE
- RED
- PISTACHIO
- ORANGE
- KHAKI
- NAVY
- TAUPE
- PLUM
- ECRU
- BEIGE