

## DELTA CHAIR with armrests

By JORGE PENSI

Delta collection is made to fit in with exterior or interior contemporary spaces. The injected aluminum base and extracted aluminum column make it ideal for use in the open air, due to the weather-resistant properties of these materials. The folding top and the design of the base enables the tables to be lined up one against the other to save space when they are not in use. The goal of the DELTA chair was to create a timeless product that constantly seeks to strike a balance between realism and surrealism—matter and antimatter, abstraction and emotion. The goal was to maximize emotions while minimizing resources, questioning the common logic of something new.

View online: <https://www.vondom.com/us/products/66026>



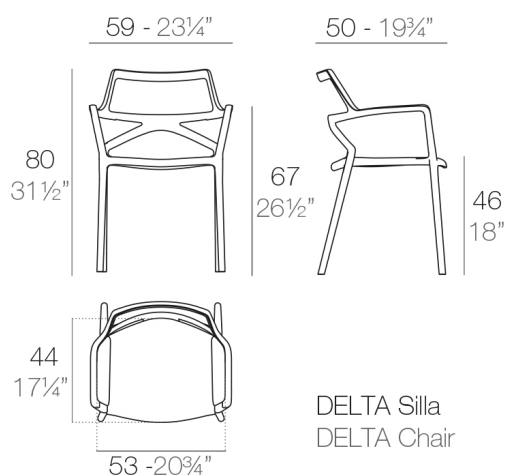
### Features

#### Description

Made of injected polypropylene with fiber glass. Stackable. Available in several colors. Item suitable for indoor and outdoor use.

#### Weight

4.02 Kg



### FINISHES

#### BASIC PP

Ref. 66026

Available in various colors

- WHITE
- BLACK
- BRONZE
- RED
- ECRU

#### LACQUERED COLOR INJECTION PP

Ref. 66026F

-

- WHITE 3101
- RED 3114

■ ANTHRACITE 3106

■ BLACK 3102

## Optional

---

### NAUTIC

Soft leather like fabric suitable for indoor and outdoor use. Standard option for upholstery.

