

AGATHA TABLE

By AGATHA

AGATHA, by AGATHA RUIZ DE LA PRADA brings youthfulness, innocence and spontaneity to VONDOM's doors, being it's first Kids collection. The designer's characteristic icons are discerned instantly by their simple, sweet and refined shapes. This is a funny, creative and optimistic collection, set out in child-like terms: flowers, hearts... This Kids furniture collection consists of three basic components: a plant pot, a table and a mini chair. A flower with large petals is what makes up this table and plantpot, which are accompanied by heart-shaped stools. It's highly resistant material allows for exterior use, making it possible to enjoy it in the outdoors, or as a playground area. A dream-like garden where the vitality, imagination and ingenuity of children will become contagious is created thanks to these striking designer items.

View online: <https://www.vondom.com/us/products/52002>



Features

Description

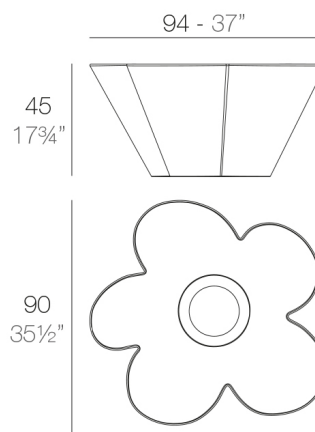
Made of polyethylene resin by rotational moulding. 100% Recyclable. Item suitable for indoor and outdoor use. Available in different finishes.

Weight

14 Kg

Includes

PORTALÁPICES Pencil holder



AGATHA Mesa Baja (incluye portalápices)
AGATHA Low Table (pencil case included)

FINISHES

BASIC

Ref. 52002

Matt Polyethylene

- ICE
- WHITE
- BLACK
- BRONZE
- STEEL
- ANTHRACITE
- RED
- PISTACHIO
- ORANGE
- KHAKI
- NAVY
- TAUPE
- PLUM
- ECRU

■ BEIGE

LACQUERED

Ref. 52002F

Lacquered Polyethylene

- WHITE
- BLACK
- BRONZE
- STEEL
- ANTHRACITE
- RED
- PISTACHIO
- ORANGE
- KHAKI
- NAVY
- TAUPE
- PLUM
- ECRU
- BEIGE
- CHAMPANY

TWO-TONE LACQUERED

Ref. 52002FP

Two-tone lacquered Polyethylene

- RED
- PISTACHIO
- ORANGE
- PLUM
- PINK

